

furnital

MADE IN ITALY



OnLine 衣帽间巴士移门



_04.1

COPLANAR SLIDING SYSTEM FOR WARDROBES

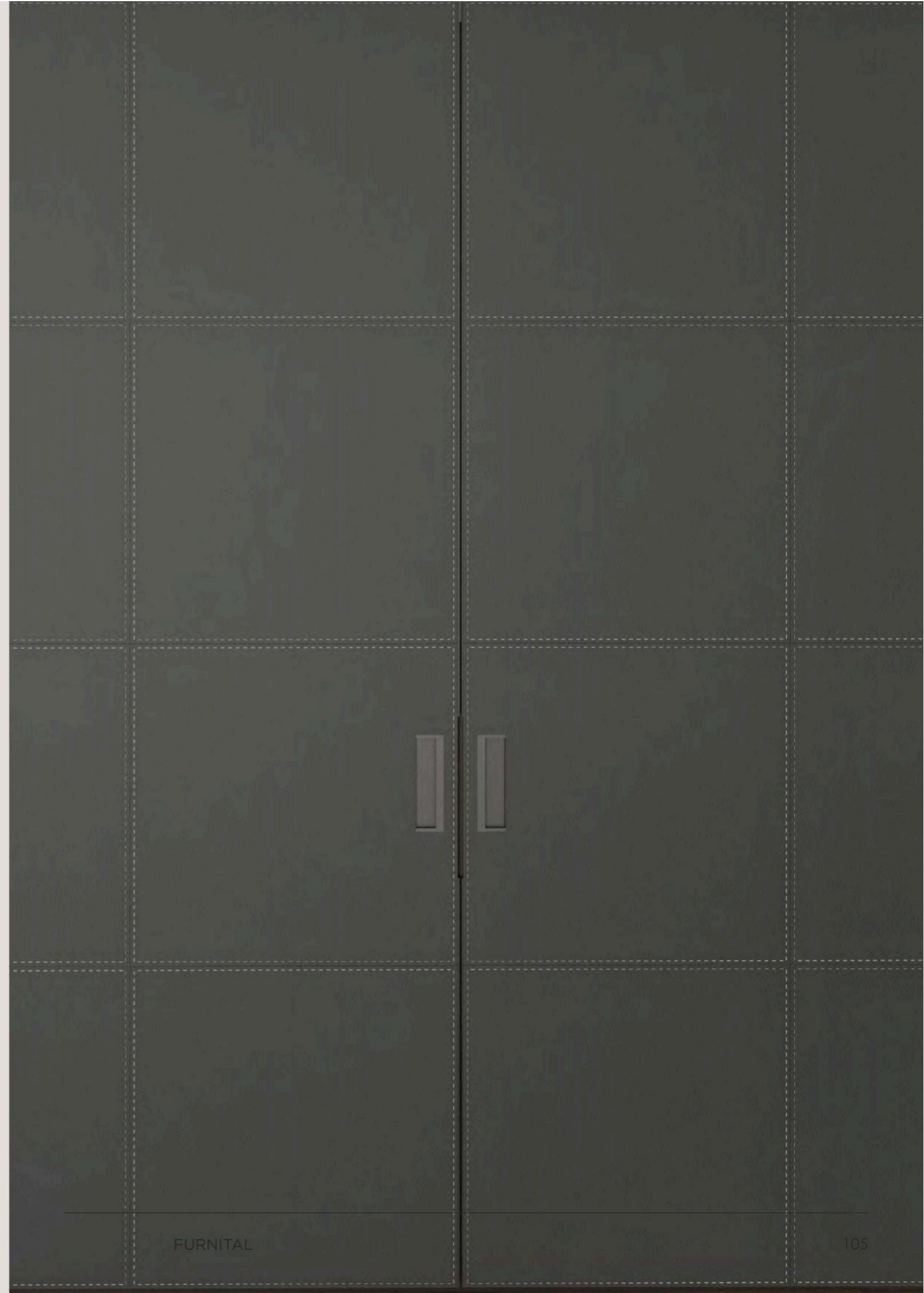
04.1 Coplanar sliding system for wardrobes

04.2 Coplanar sliding system for cabinets

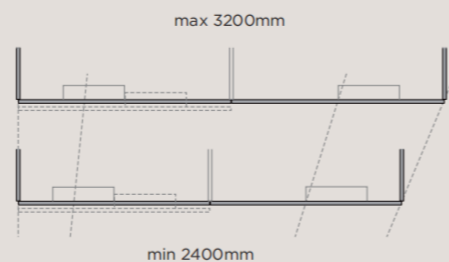
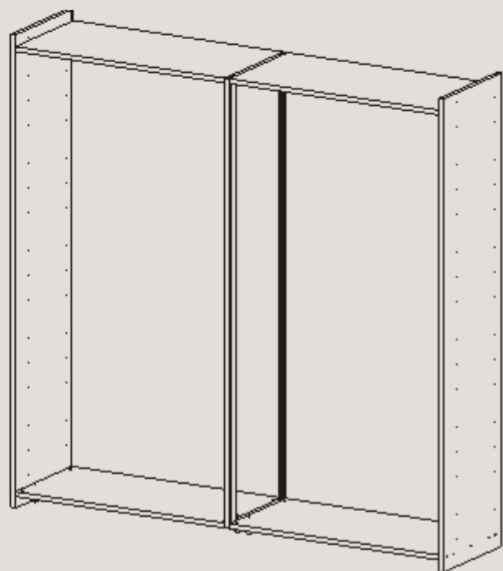
04.3 Offset sliding system with magnetic soft closing

04.4 Offset sliding system with spring soft closing

04.5 Aluminium door profiles for sliding systems



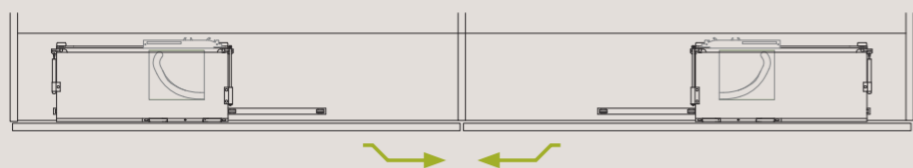
LARGE COPLANAR SYSTEM FOR TWO DOORS WARDROBES



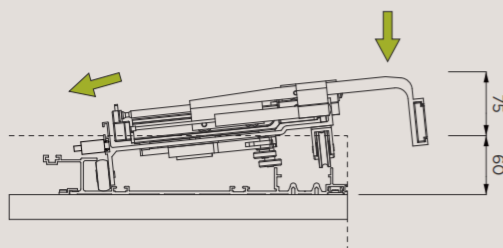
TECHNICAL SPECIFICATIONS:

- LOAD CAPACITY 85KG PER DOOR TESTED BY CATAS
- DOOR THICKNESS UP TO 45MM
- SOFT CLOSING AND SOFT OPENING
- CUTTABLE IN EVERY CUSTOMIZED MEASURE
- NO GROOVING OR MILLING ON DOOR PANELS REQUIRED FOR INSTALLATION
- DOOR RANGE FROM 1200MM UP TO 1600MM

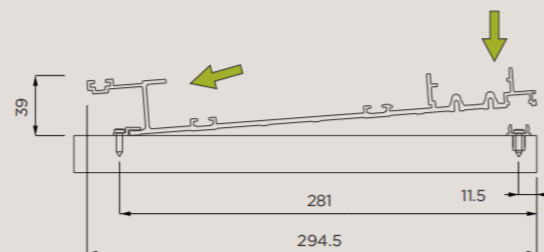
_doors opening direction



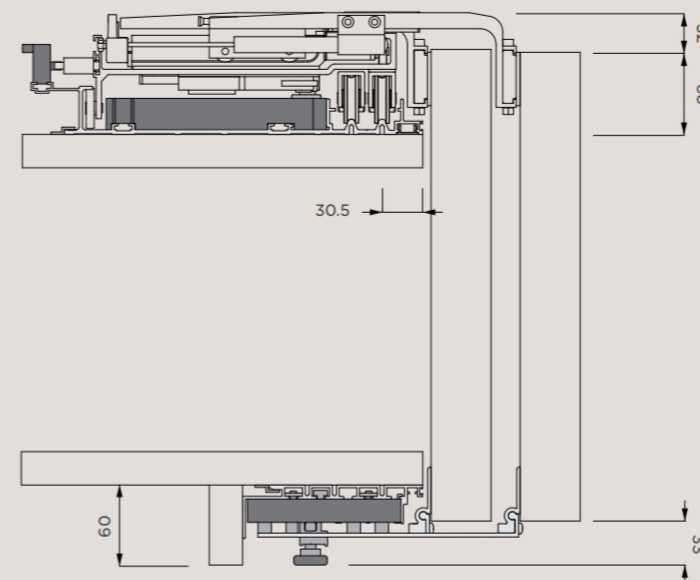
_easy trucks installation



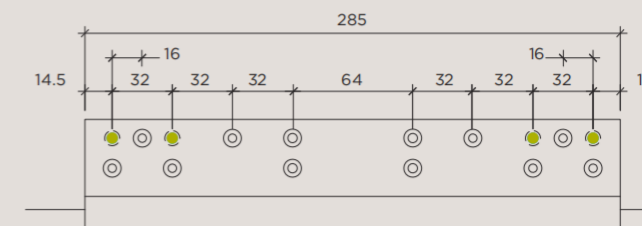
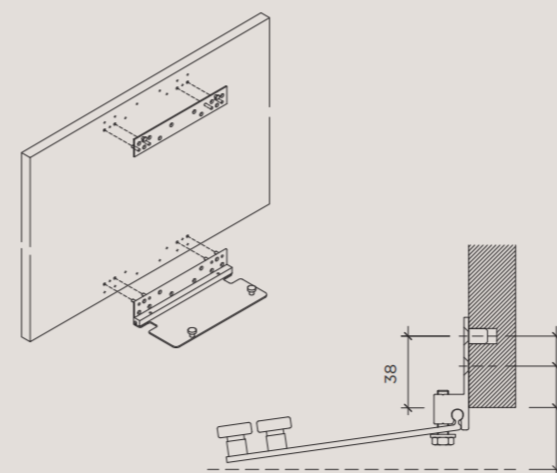
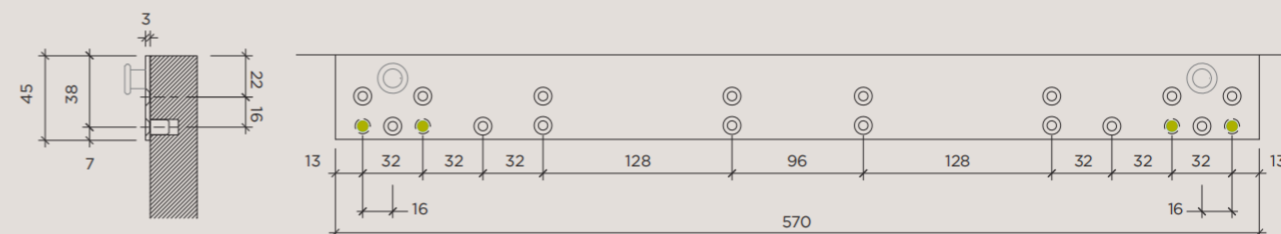
_easy clip fixing of the rails



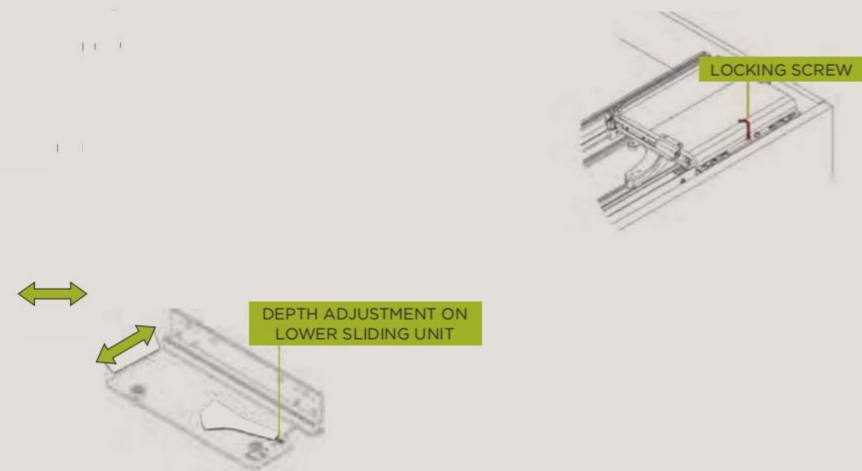
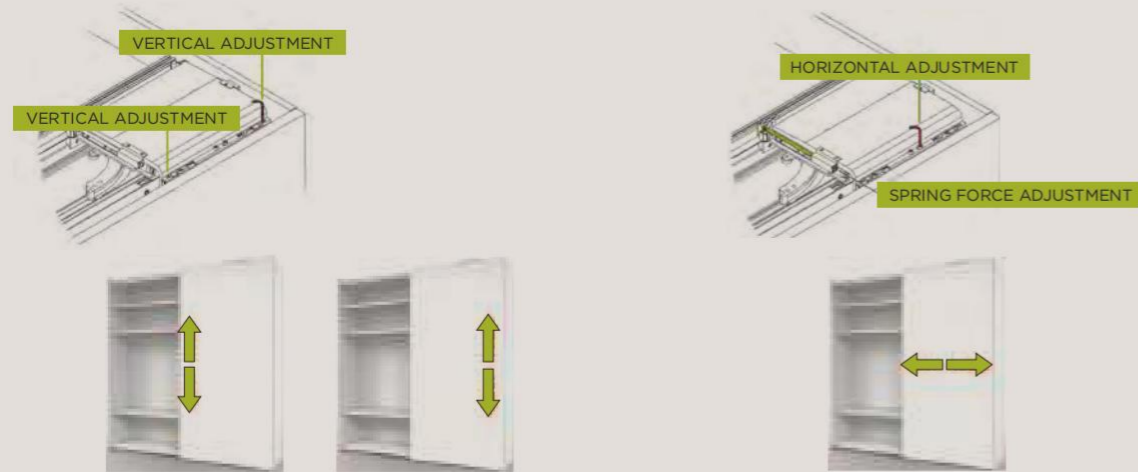
_technical details



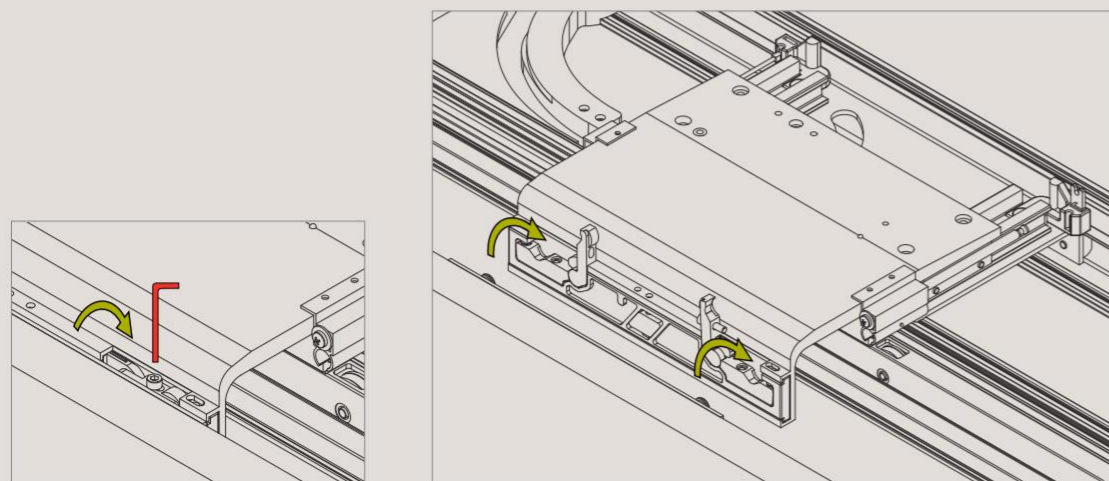
_no milling or grooving required



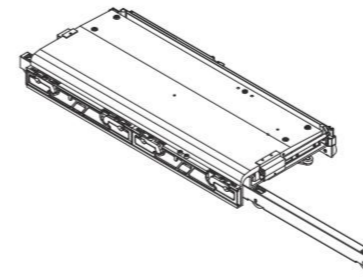
_3D adjustments



_door mounting and locking

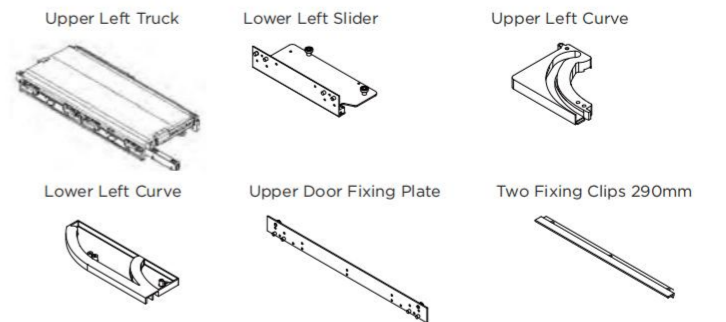


LEFT SLIDING UNIT

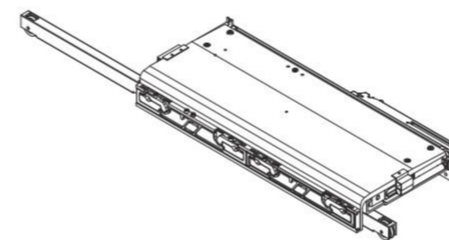


ITEM	FINISHING	LOAD CAP. (Kg)	BOX
SD094.002.008	Aluminium	85	1

Packaging Content

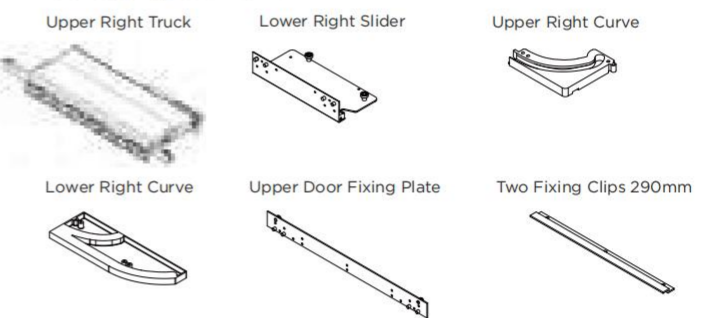


RIGHT SLIDING UNIT

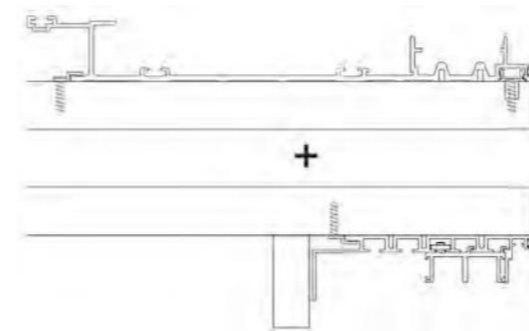


ITEM	FINISHING	LOAD CAP. (Kg)	BOX
SD094.002.009	Aluminium	85	1

Packaging Content

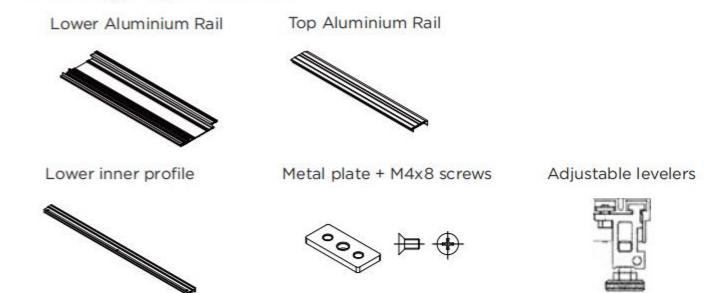


TOP AND BOTTOM ALUMINIUM RAILS

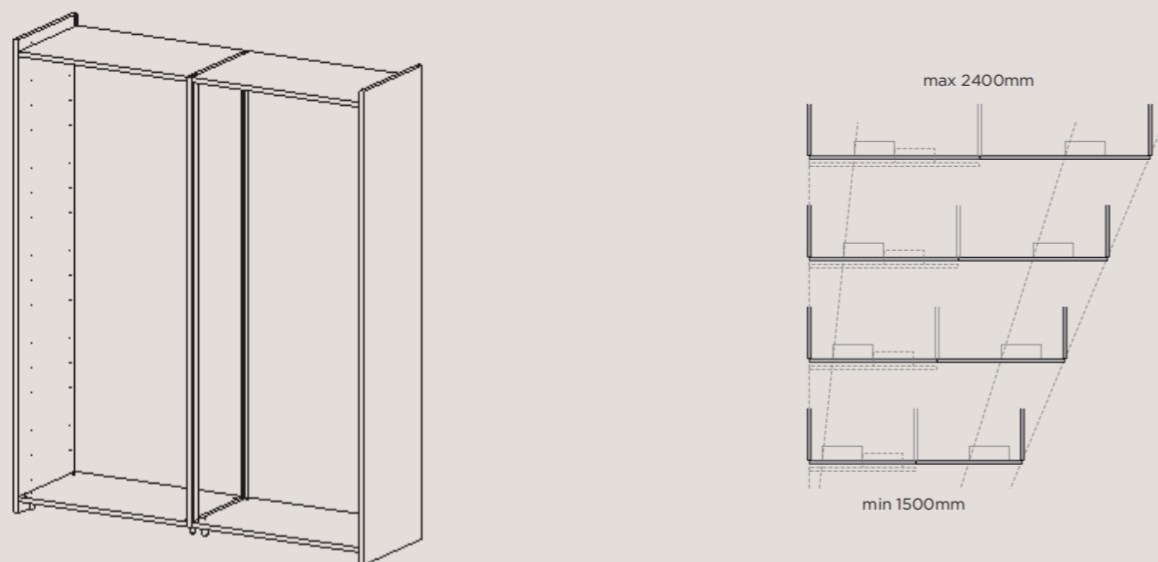


ITEM	FINISHING	LENGTH (mm)	BOX
SD094.002.002	Aluminium	3000	1
SD094.002.003	Aluminium	4000	1

Packaging Content



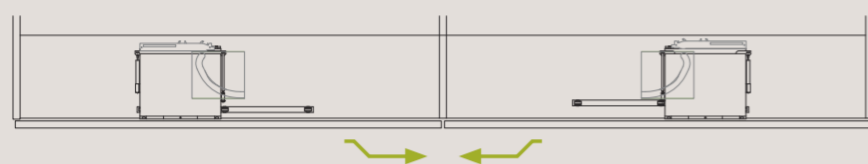
STANDARD COPLANAR SYSTEM FOR TWO DOORS WARDROBES



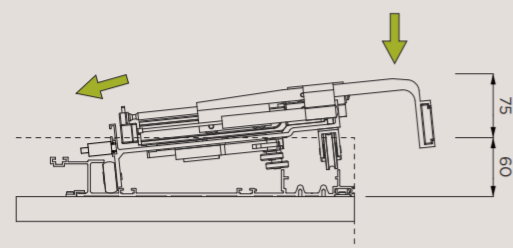
TECHNICAL SPECIFICATIONS:

- LOAD CAPACITY 55KG PER DOOR TESTED BY CATAS
- DOOR THICKNESS UP TO 45MM
- SOFT CLOSING AND SOFT OPENING
- CUTTABLE IN EVERY CUSTOMIZED MEASURE
- NO GROOVING OR MILLING ON DOOR PANELS REQUIRED FOR INSTALLATION
- DOOR RANGE FROM 750MM UP TO 1200MM

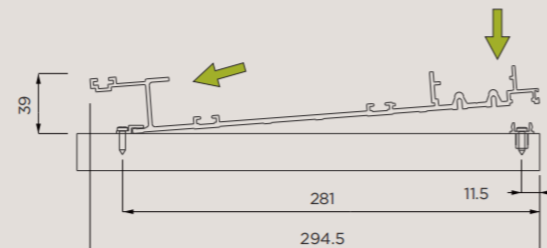
_doors opening direction



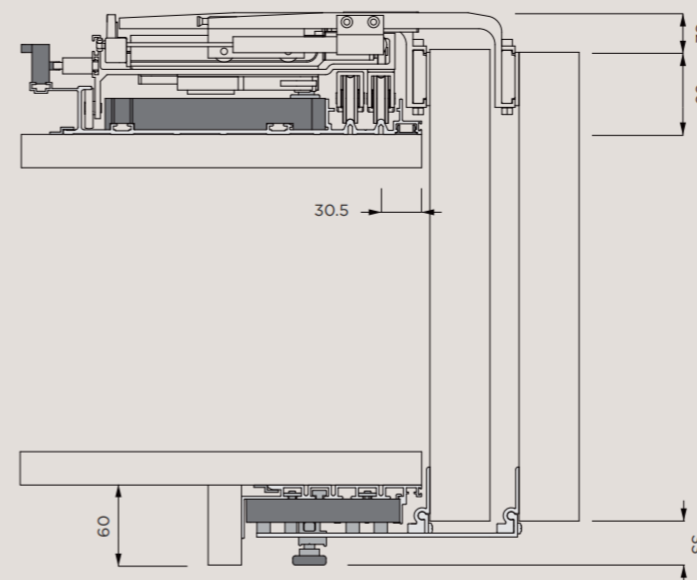
_easy trucks installation



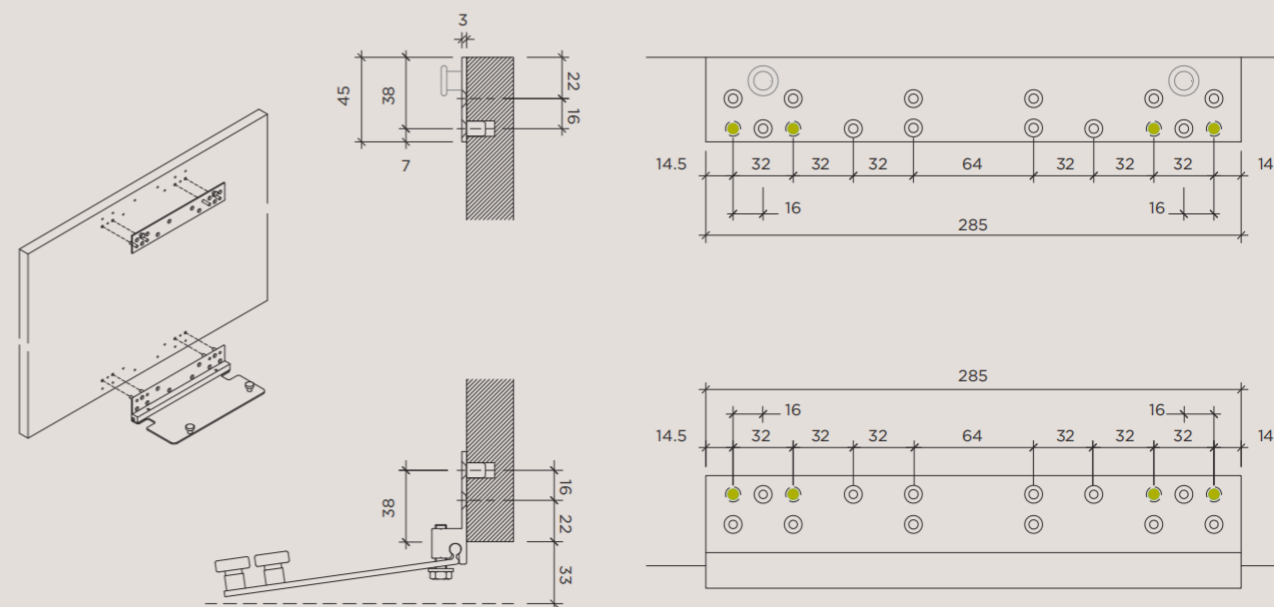
_easy clip fixing of the rails



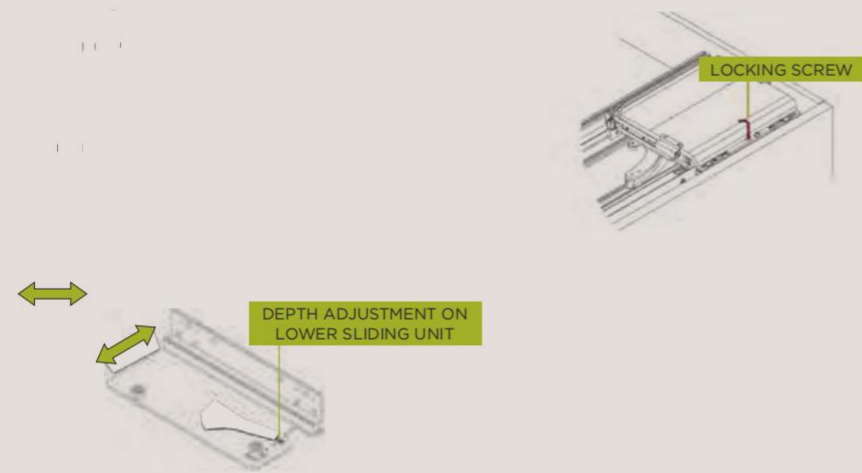
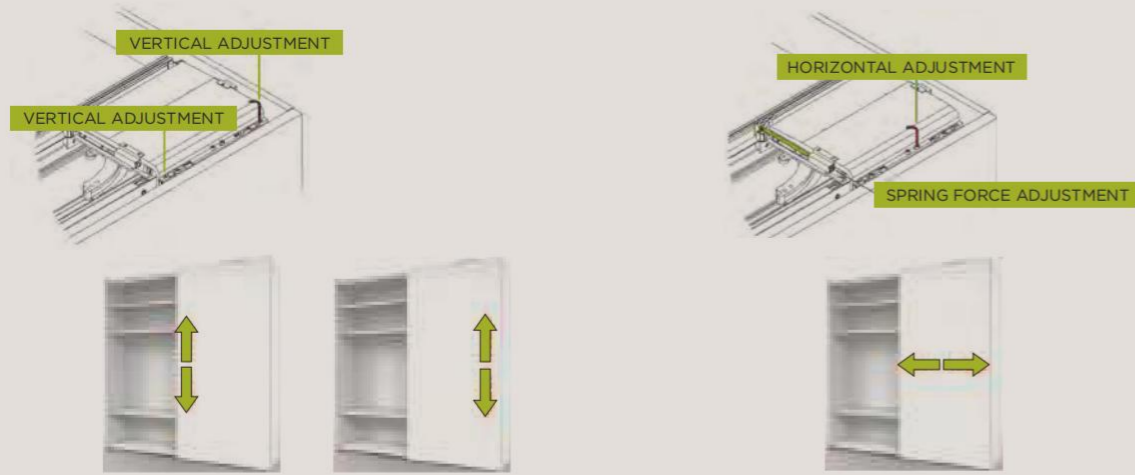
_technical details



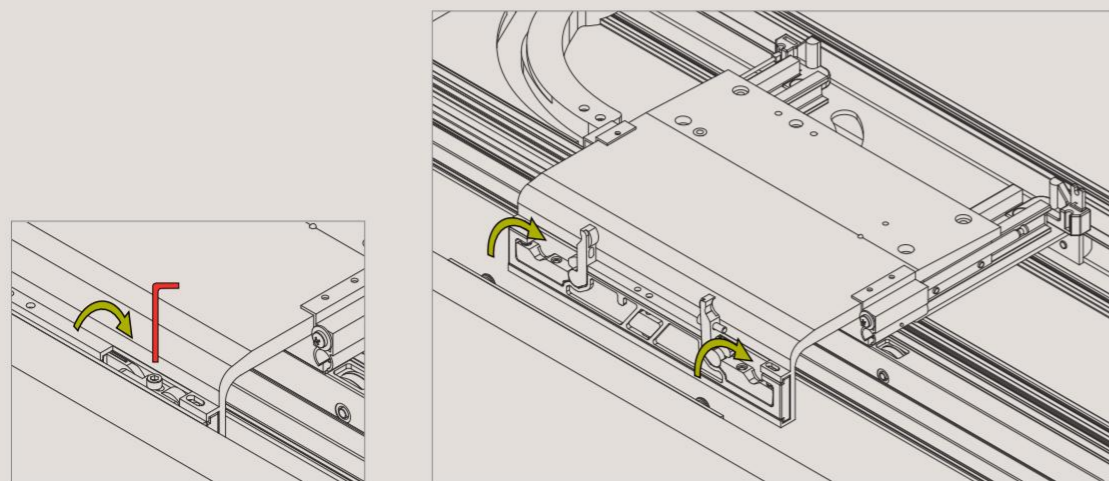
_no milling or grooving required



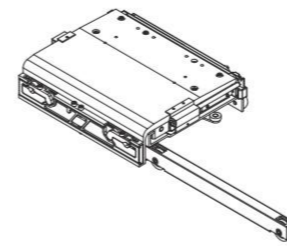
_3D adjustments



_door mounting and locking

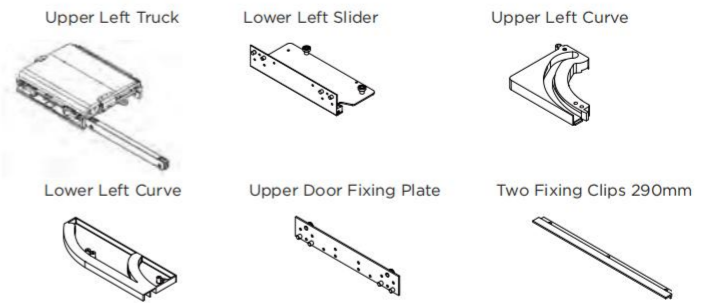


LEFT SLIDING UNIT

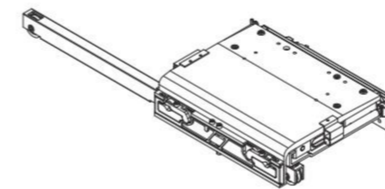


ITEM	FINISHING	LOAD CAP. (Kg)	BOX
SD094.002.006	Aluminium	55	1

Packaging Content

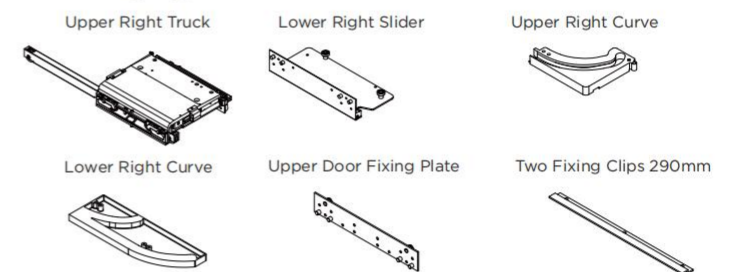


RIGHT SLIDING UNIT

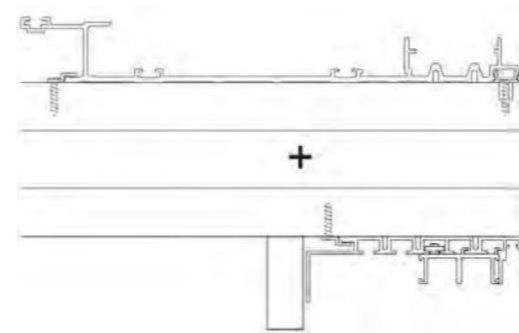


ITEM	FINISHING	LOAD CAP. (Kg)	BOX
SD094.002.007	Aluminium	55	1

Packaging Content



TOP AND BOTTOM ALUMINIUM RAILS

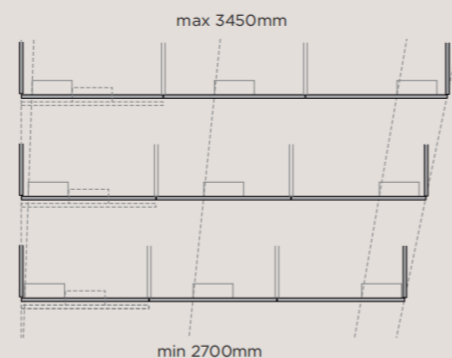
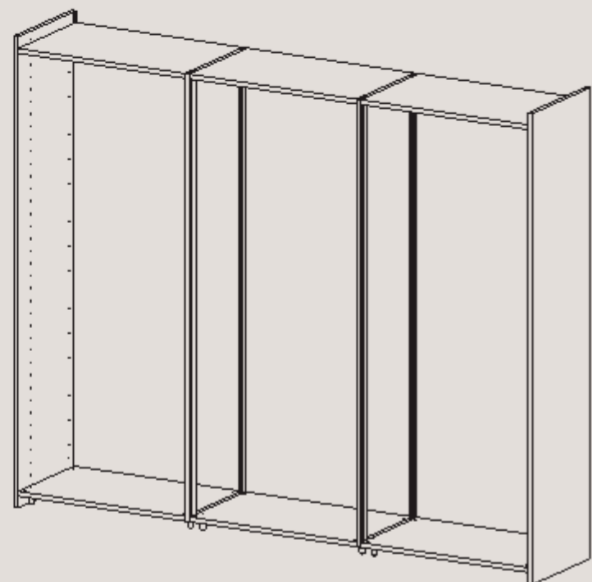


ITEM	FINISHING	LENGTH (mm)	BOX
SD094.002.001	Aluminium	2000	1
SD094.002.012	Aluminium	2500	1
SD094.002.002	Aluminium	3000	1
SD094.002.003	Aluminium	4000	1

Packaging Content



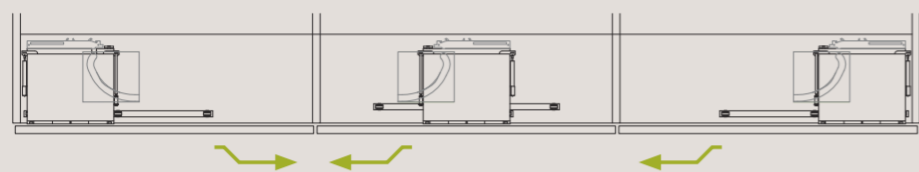
COPLANAR SYSTEM FOR THREE DOORS WARDROBES



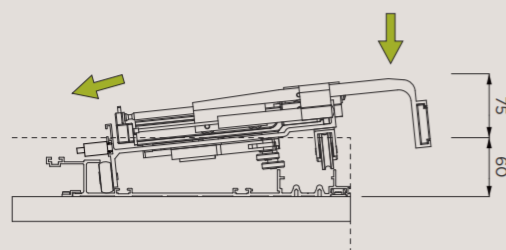
TECHNICAL SPECIFICATIONS:

- LOAD CAPACITY 55KG PER DOOR TESTED BY CATAS
- DOOR THICKNESS UP TO 45MM
- SOFT CLOSING AND SOFT OPENING
- CUTTABLE IN EVERY CUSTOMIZED MEASURE
- NO GROOVING OR MILLING ON DOOR PANELS REQUIRED FOR INSTALLATION
- DOOR RANGE FROM 900MM UP TO 1150MM

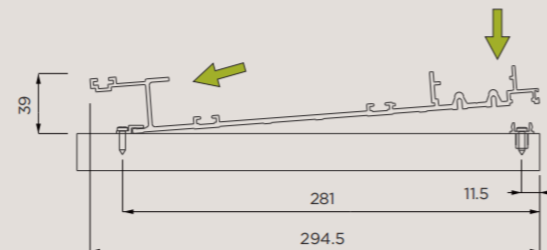
_doors opening direction



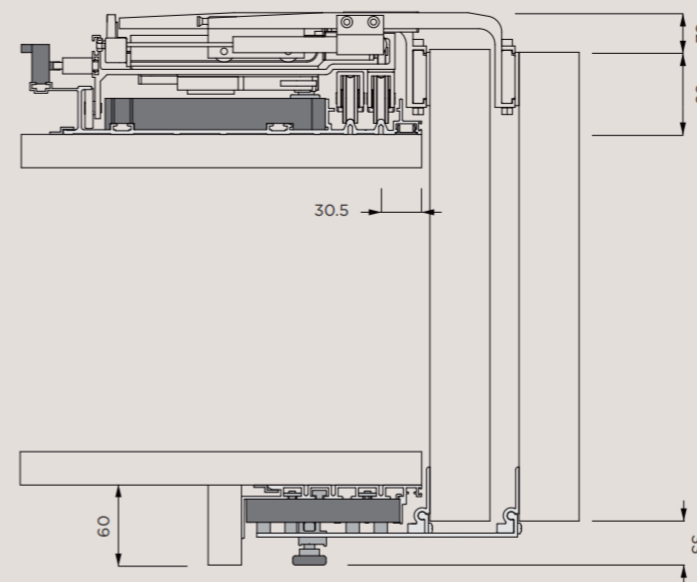
_easy trucks installation



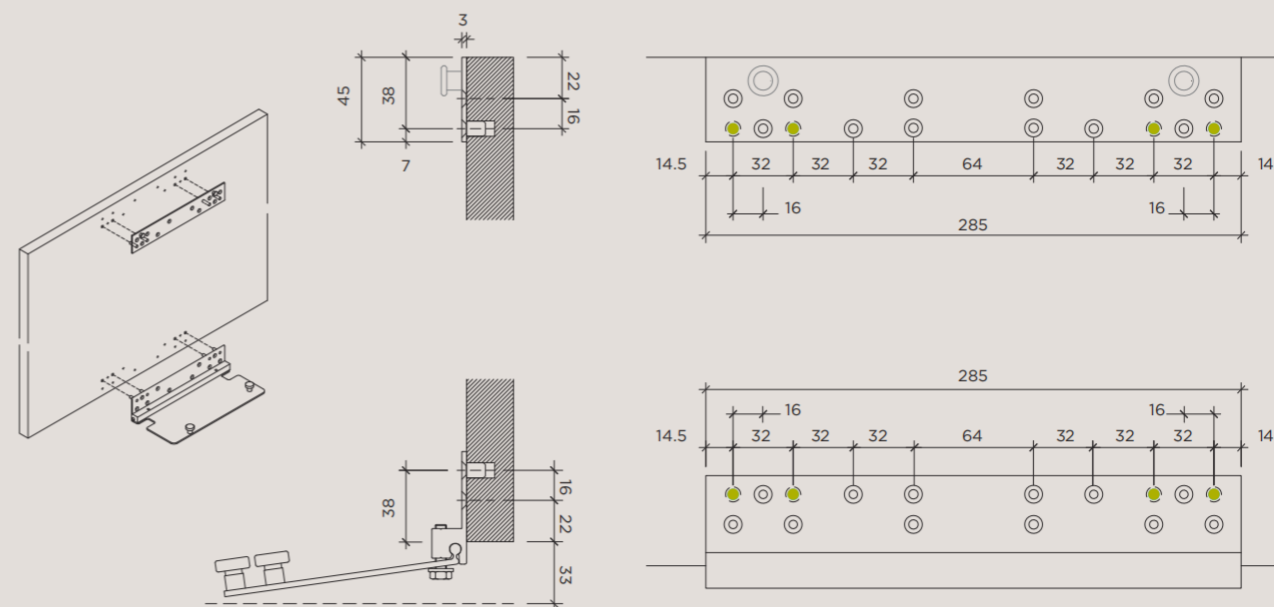
_easy clip fixing of the rails



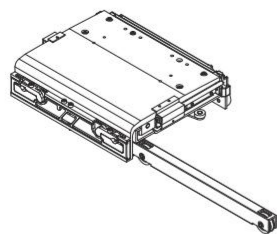
_technical details



_no milling or grooving required

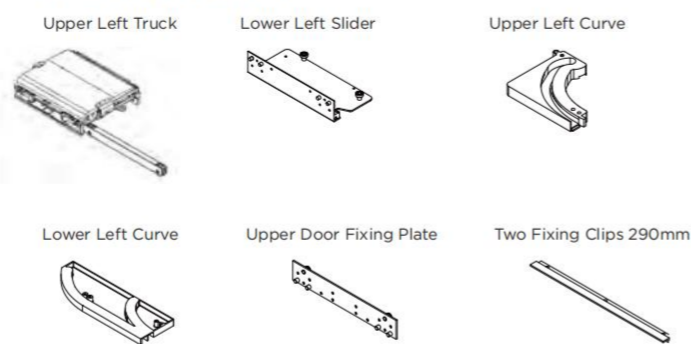


LEFT SLIDING UNIT

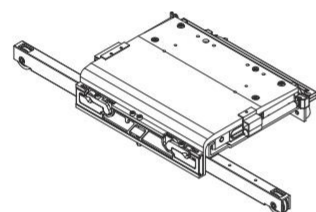


ITEM	FINISHING	LOAD CAP. (Kg)	BOX
SD094.002.006	Aluminium	55	1

Packaging Content

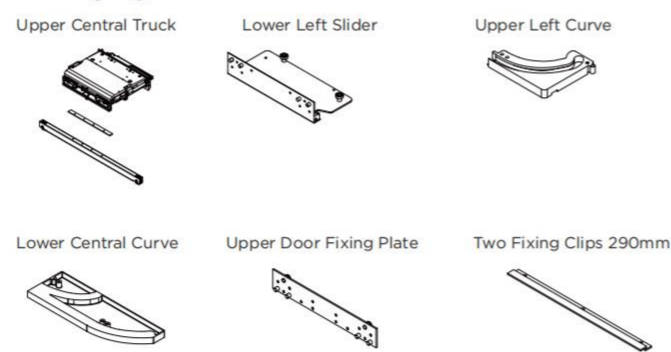


CENTRAL SLIDING UNIT

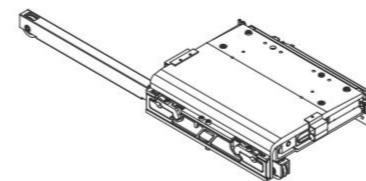


ITEM	FINISHING	LOAD CAP. (Kg)	BOX
SD094.002.005	Aluminium	55	1

Packaging Content

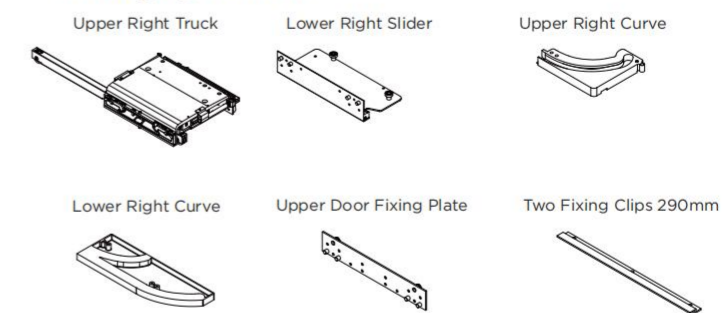


RIGHT SLIDING UNIT

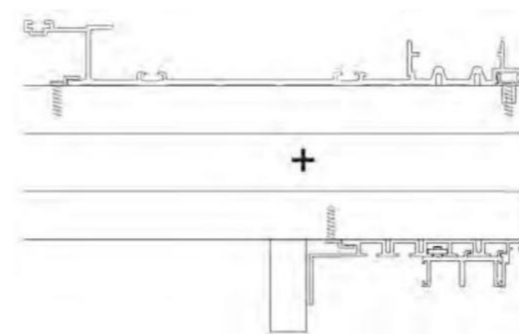


ITEM	FINISHING	LOAD CAP. (Kg)	BOX
SD094.002.007	Aluminium	55	1

Packaging Content

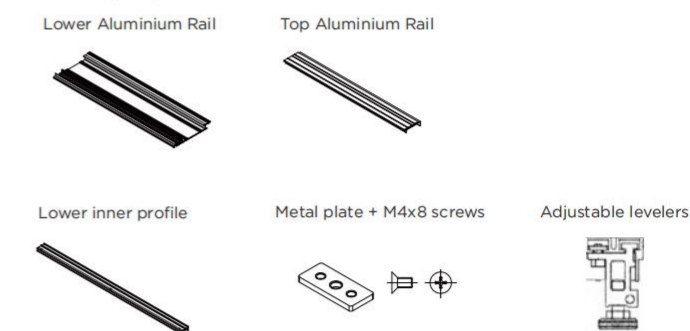


TOP AND BOTTOM ALUMINIUM RAILS



ITEM	FINISHING	LENGTH (mm)	BOX
SD094.002.002	Aluminium	3000	1
SD094.002.003	Aluminium	4000	1

Packaging Content



_04.2

COPLANAR SLIDING SYSTEM FOR CABINETS

04.1 Coplanar sliding system for wardrobes

04.2 Coplanar sliding system for cabinets

04.3 Offset sliding system with magnetic soft closing

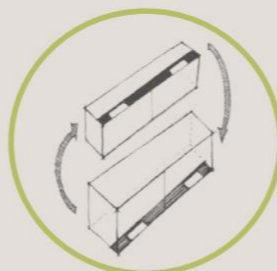
04.4 Offset sliding system with spring soft closing

04.5 Aluminium door profiles for sliding systems



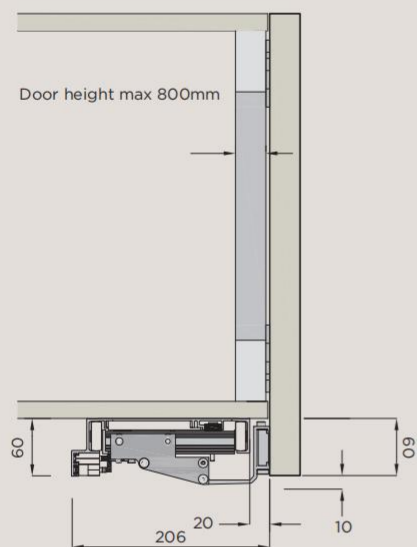
TECHNICAL SPECIFICATIONS:

- LOAD CAPACITY UP TO 25KG PER DOOR TESTED BY CATAS
- DOOR THICKNESS UP TO 40MM
- SOFT CLOSING AND SOFT OPENING
- CUTTABLE IN EVERY CUSTOMIZED MEASURE
- NO GROOVING OR MILLING ON DOOR PANELS REQUIRED FOR INSTALLATION
- AVAILABLE FOR TWO DOORS CABINET
- REVERSIBLE SYSTEM, SAME COMPONENTS FOR UPPER AND LOWER CABINET

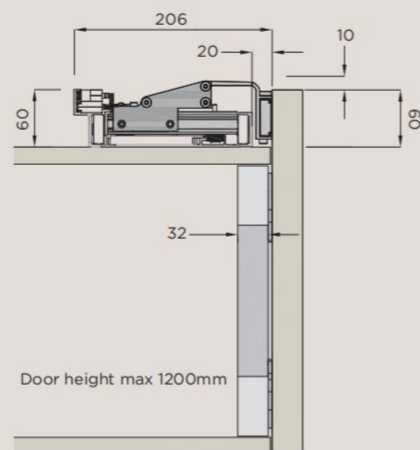


REVERSIBLE SYSTEM

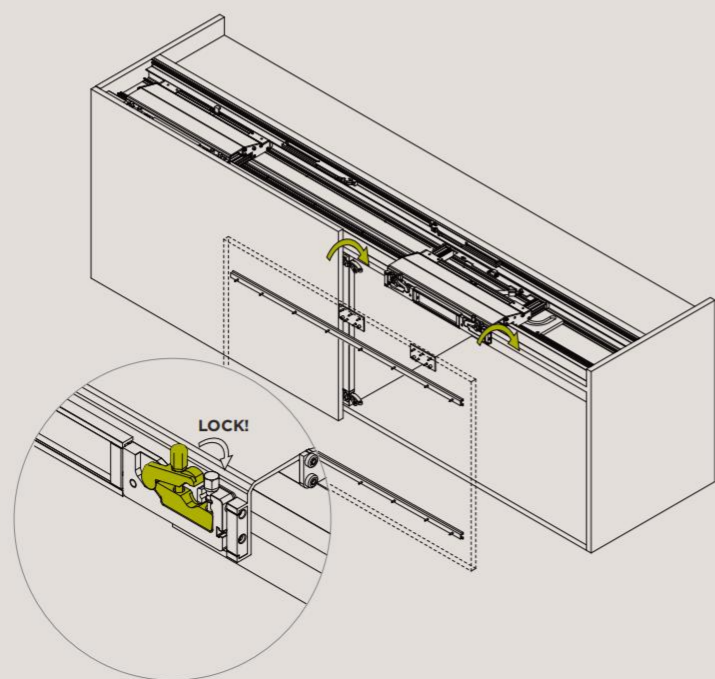
_lower cabinet application



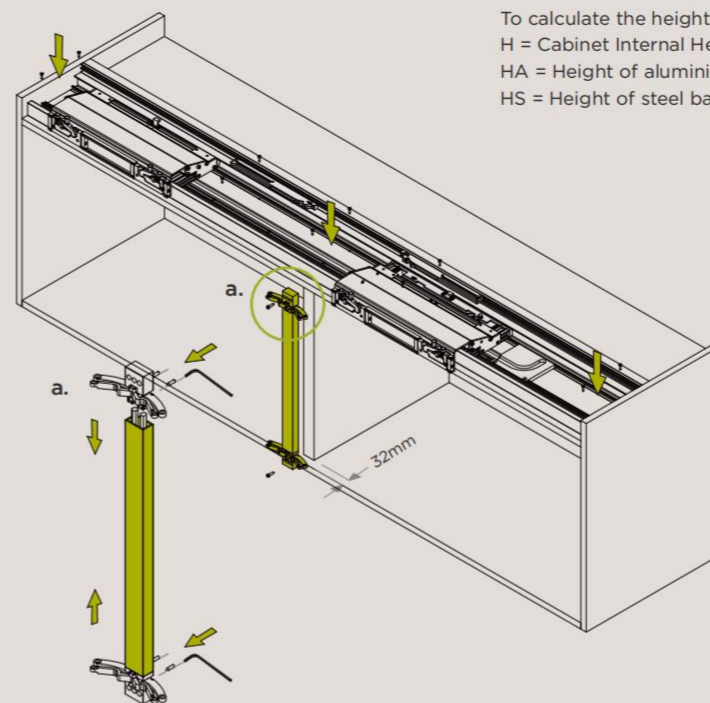
_hanging cabinet application



_easy doors installation, no grooving or milling required

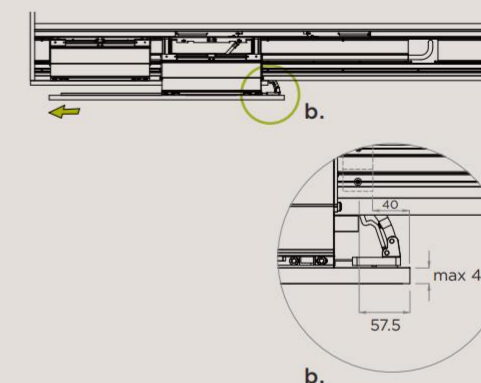


_synchronizing cuttable bar installation

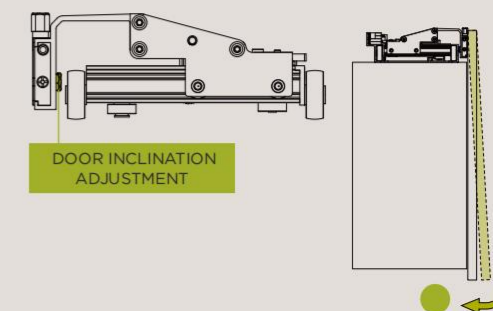
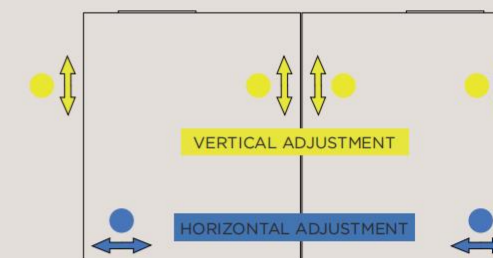
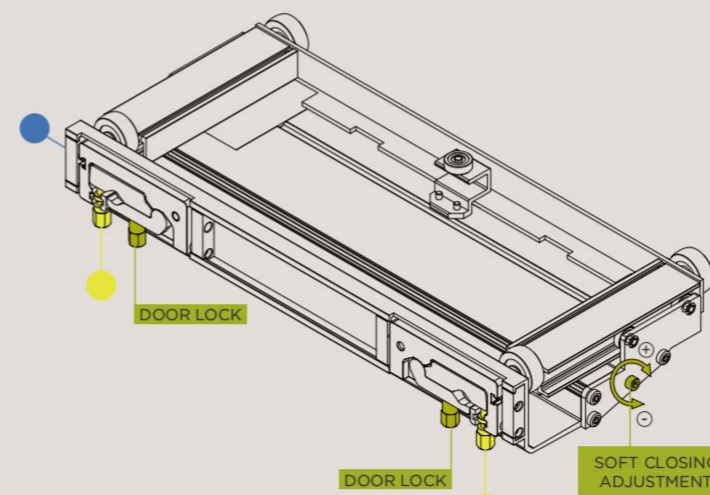


To calculate the height of the synchronizing bar:
 $H = \text{Cabinet Internal Height} - 1\text{mm}$
 $HA = \text{Height of aluminium tube} = H - 100\text{mm}$
 $HS = \text{Height of steel bars} = HA + 35\text{mm}$

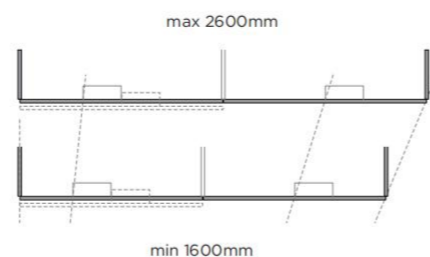
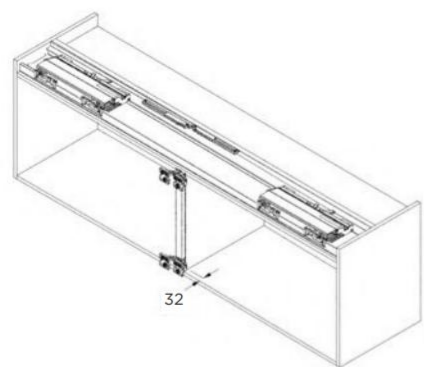
_door overlapping



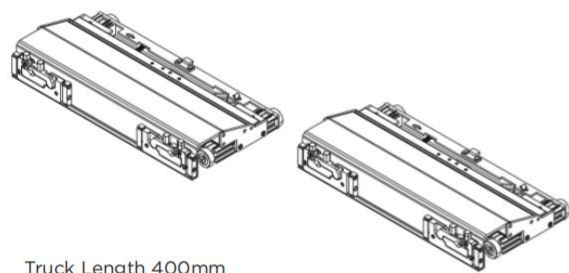
_adjustments



STANDARD COPLANAR FOR TWO DOORS CABINETS



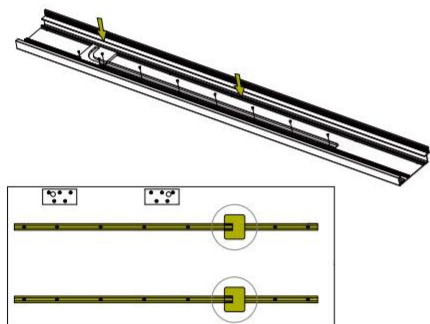
SLIDING UNIT KIT



Truck Length 400mm

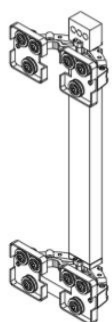
ITEM	FINISHING	LOAD CAP (Kg)	BOX
SD037.002.002	Aluminium	25	1

SLIDING PROFILE AND ALUMINIUM STABILIZING DOOR RAILS



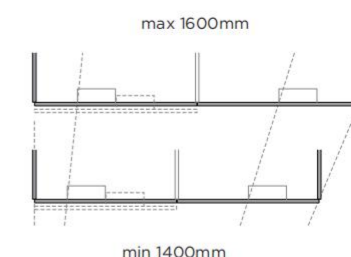
ITEM	FINISHING	LENGTH (mm)	BOX
SD037.001.006	Aluminium	2000	1
SD037.001.007	Aluminium	2500	1
SD037.001.008	Aluminium	3000	1

SYNCRONIZING CUTTABLE BAR

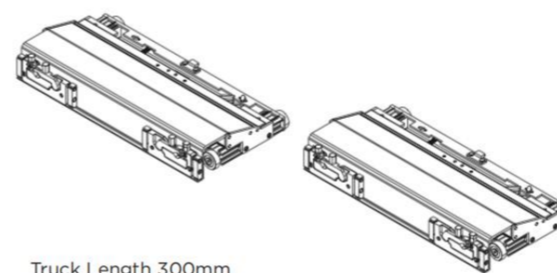


ITEM	FINISHING	HEIGHT (mm)	BOX
SD037.001.002	Aluminium	720	1
SD037.001.003	Aluminium	1200	1

MEDIUM COPLANAR FOR TWO DOORS CABINETS



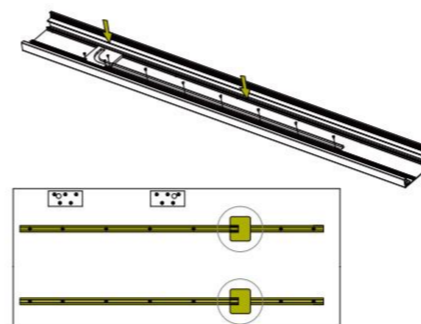
SLIDING UNIT KIT



Truck Length 300mm

ITEM	FINISHING	LOAD CAP (Kg)	BOX
SD037.001.011	Aluminium	20	1

SLIDING PROFILE AND ALUMINIUM STABILIZING DOOR RAILS



ITEM	FINISHING	LENGTH (mm)	BOX
SD037.001.006	Aluminium	2000	1

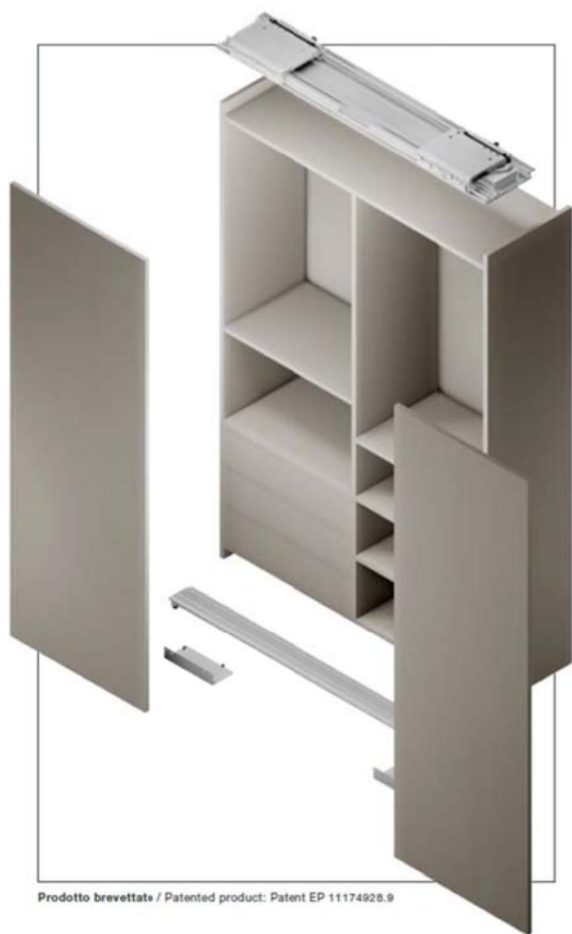
SYNCRONIZING CUTTABLE BAR



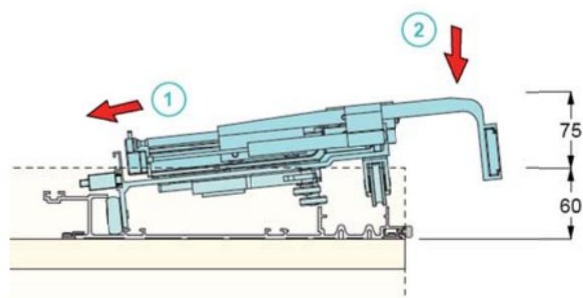
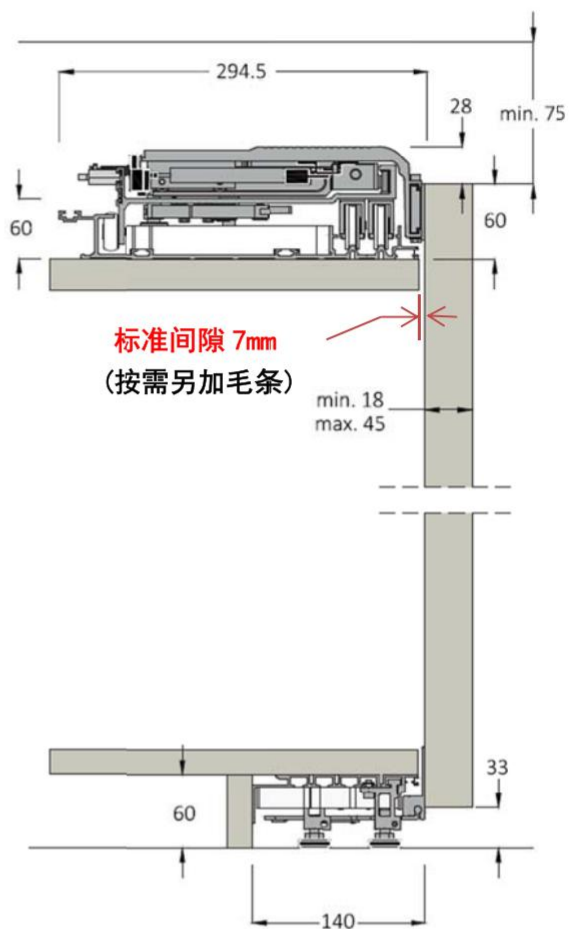
ITEM	FINISHING	HEIGHT (mm)	BOX
SD037.001.002	Aluminium	720	1
SD037.001.003	Aluminium	1200	1

产品特性

- 意大利原装进口
- 适用柜体宽度：1500 mm - 2520mm
- 每门最大承重：55 kg
- 门厚含拉手最大：45 mm
- 门板安装机构固定件不需铣槽
- 门板完全开启不影响内抽开合



Prodotto brevettato / Patented product: Patent EP 11174928.9



设计

-按 8-1 页侧视结构图设定柜体与门板高度

-设定 $C = \text{门板间隙}$ (标准为 4 mm)

-设定门板宽度 G (柜体总宽度 - 门板间隙 $C - 2 \times B$ 门外侧间隙) / 2

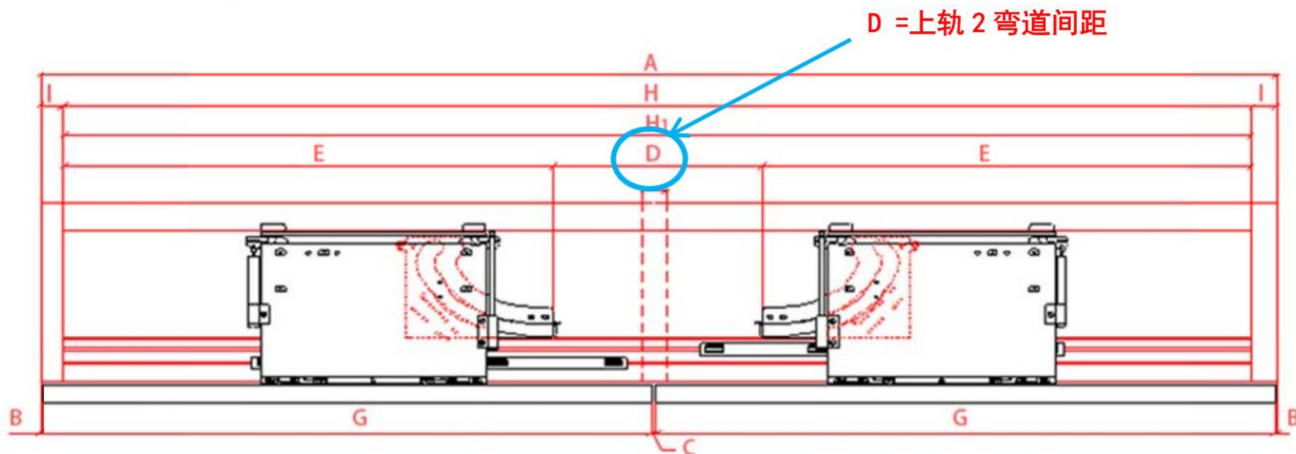
-求出 D, N, k 数据

D 上轨 2 弯道间距 = 门板宽度 $G - 127$

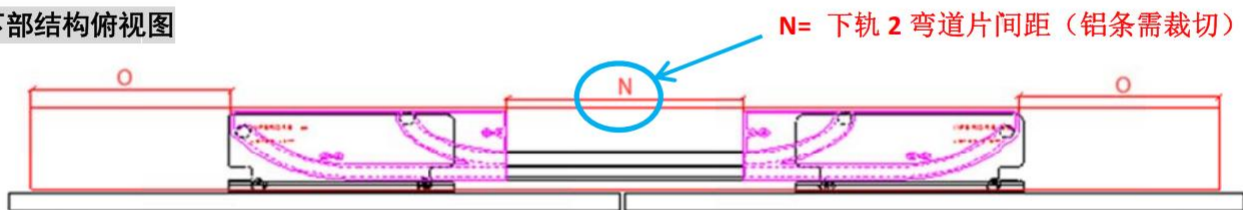
N 下轨 2 弯道间距 = $D + 35$

k 门板与固定件孔距 = $(D - C) \div 2 + 97.5$

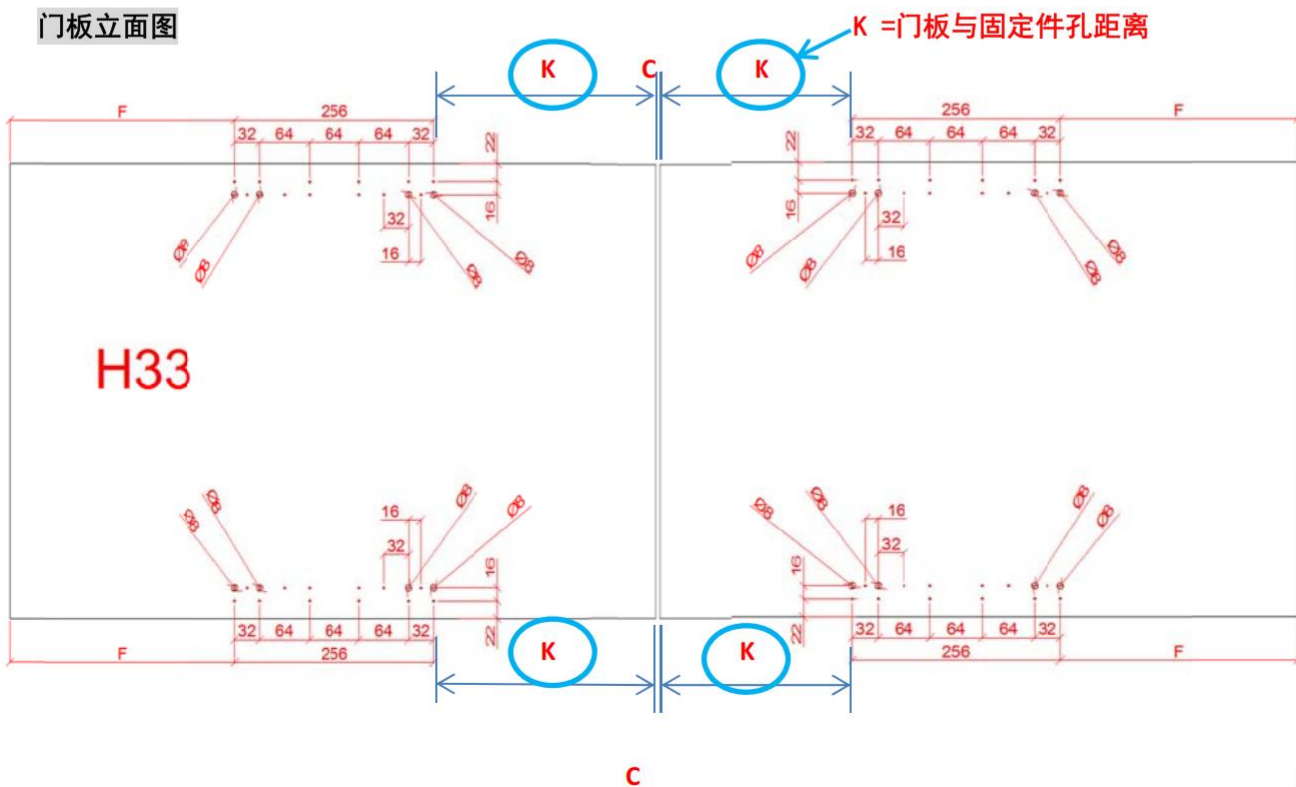
上部结构俯视图



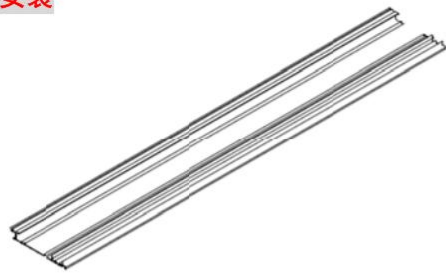
下部结构俯视图



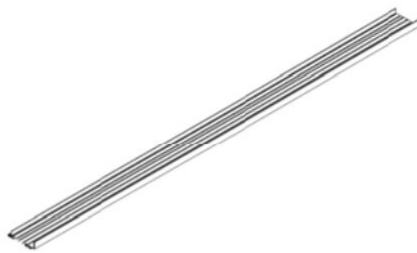
门板立面图



安装



上轨道



下轨道

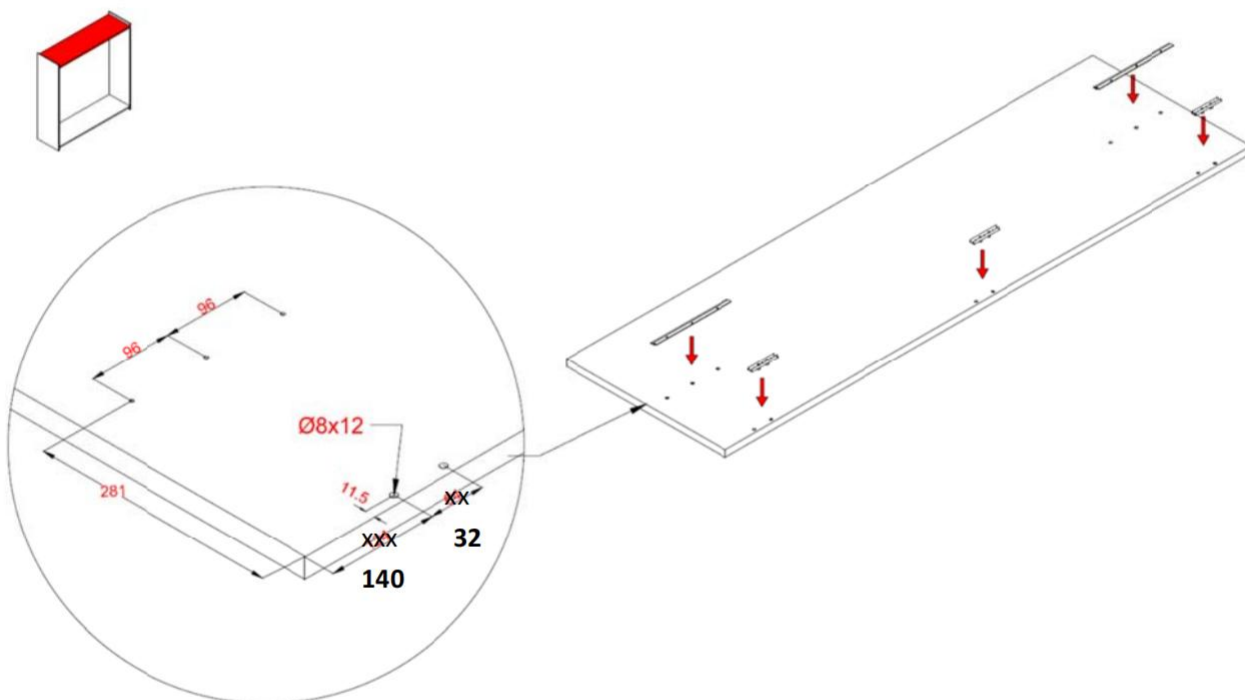


下轨弯道片间距定位轨道

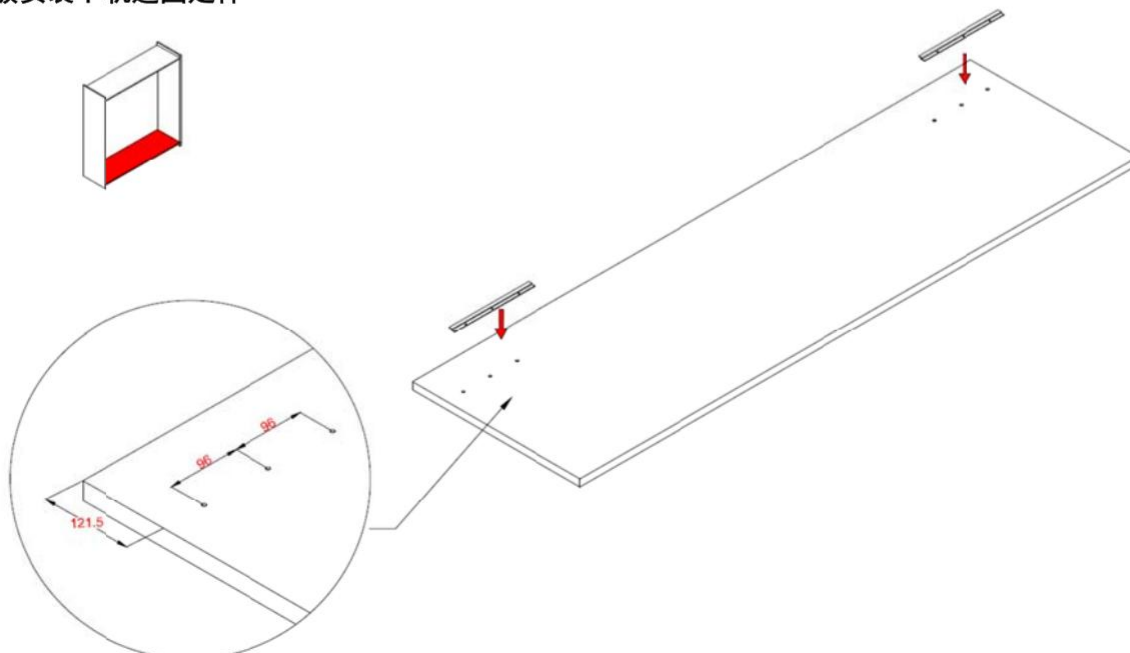
1. 上下轨道裁切：侧板与顶底板齐平，按柜体宽度。侧板高出顶底板，按柜体内宽度。

下轨弯道片间距定位轨道长度裁切：按计算值“N”

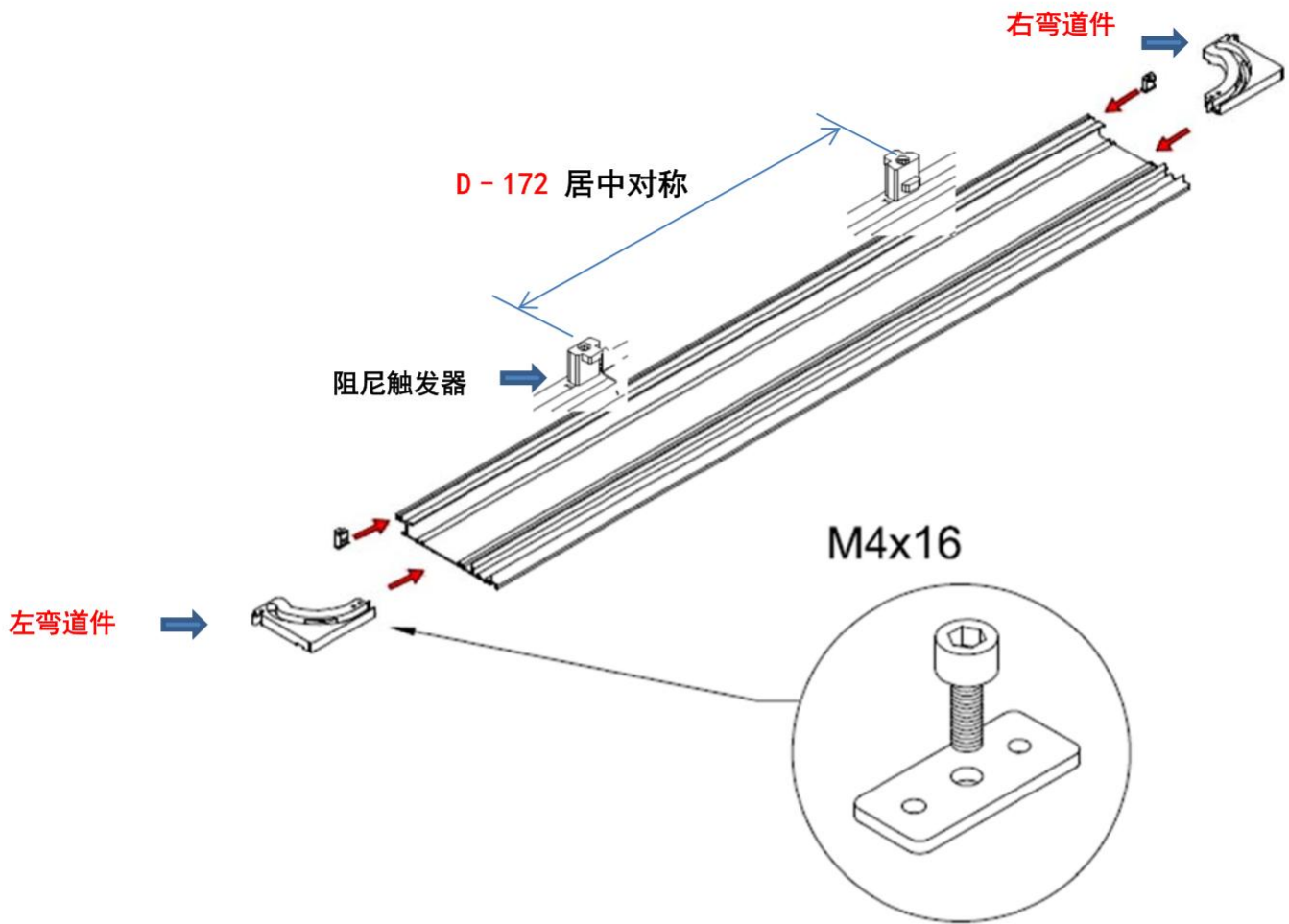
2. 顶板安装上轨道固定件



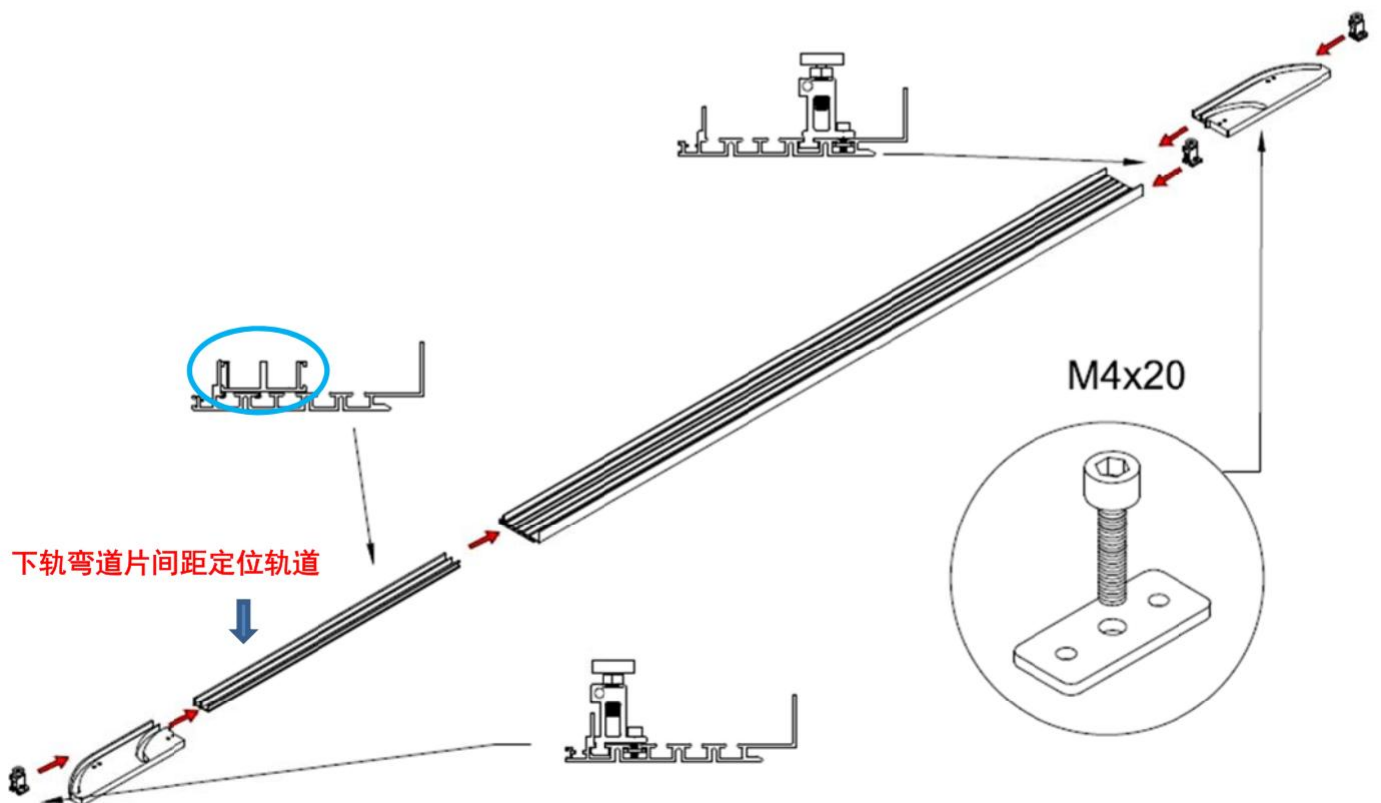
3. 底板安装下轨道固定件



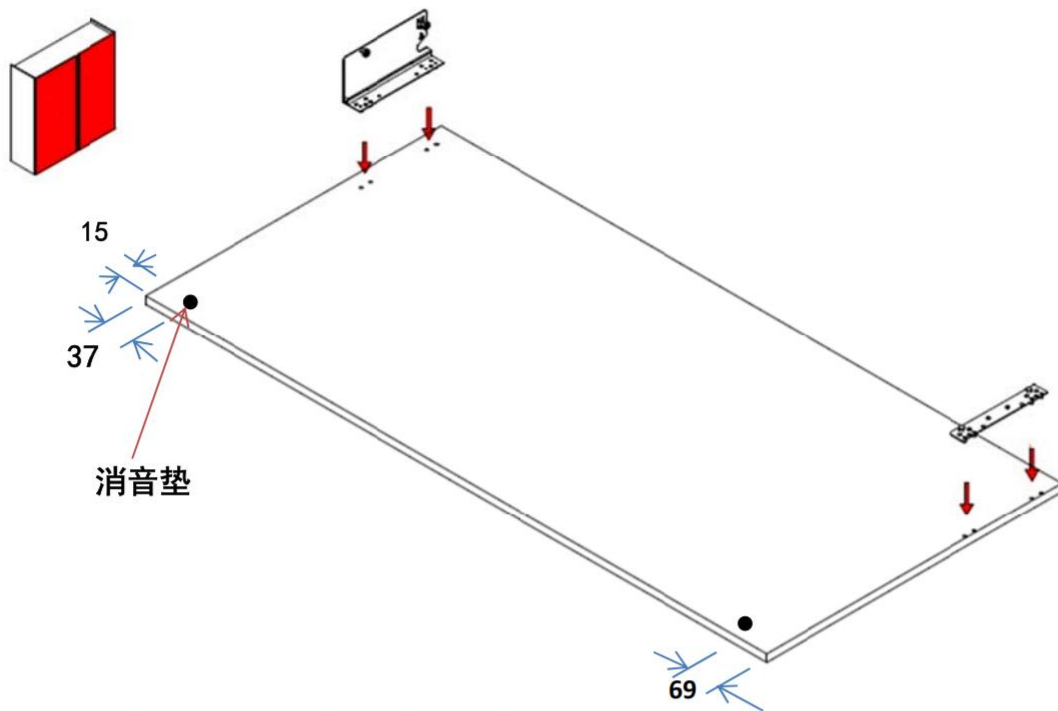
4. 上轨道装入弯道件与阻尼触发器 **注意：左右弯道件按两门间隙居中对称固定，间距为“D”值**



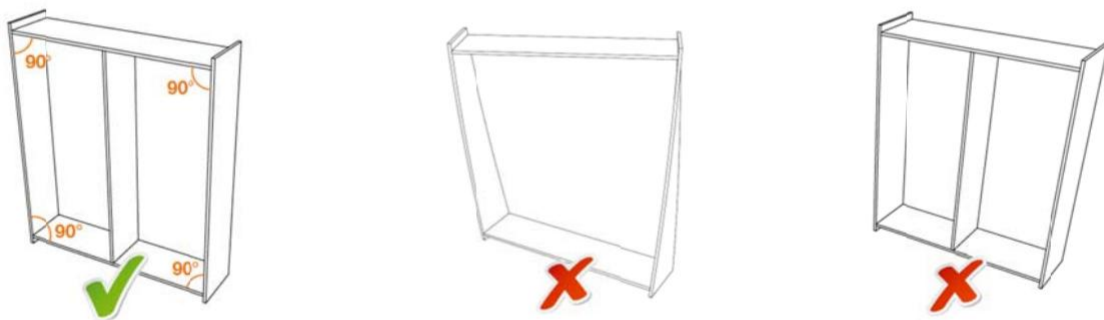
5. 下轨道装入间距轨道，左右弯道件与支撑脚 **注意：间距轨道片按两门间隙居中对称固定**



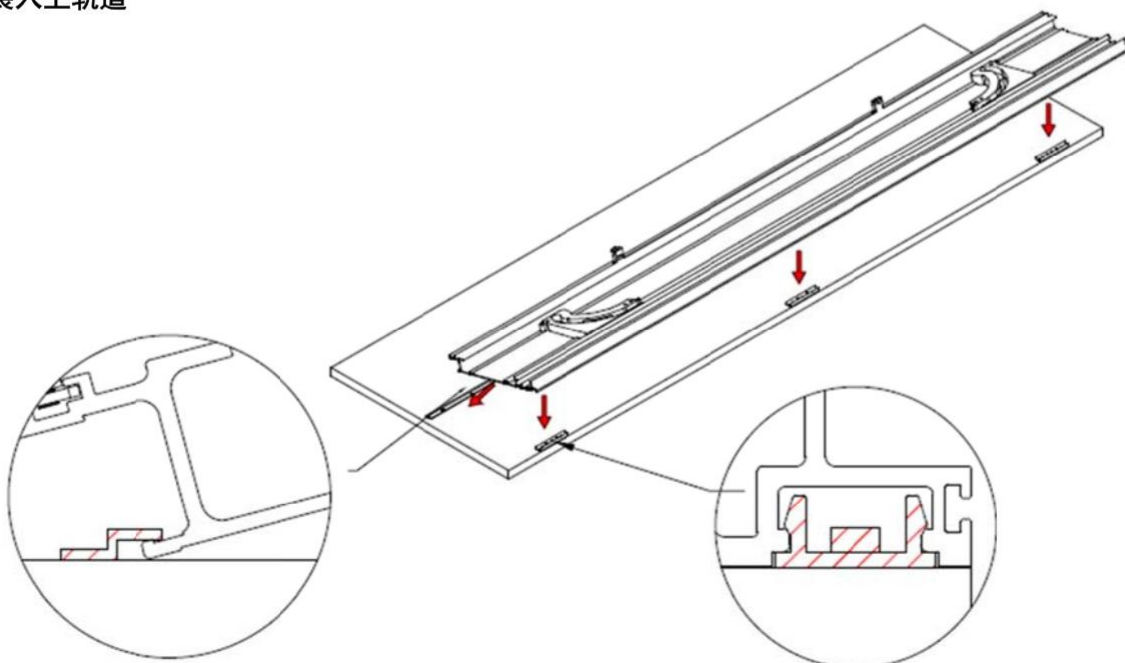
6. 门板配件安装, 按第 8-2 页定位孔固定配件 (左右门配件不同, 注意标式, R=右门, L=左门)



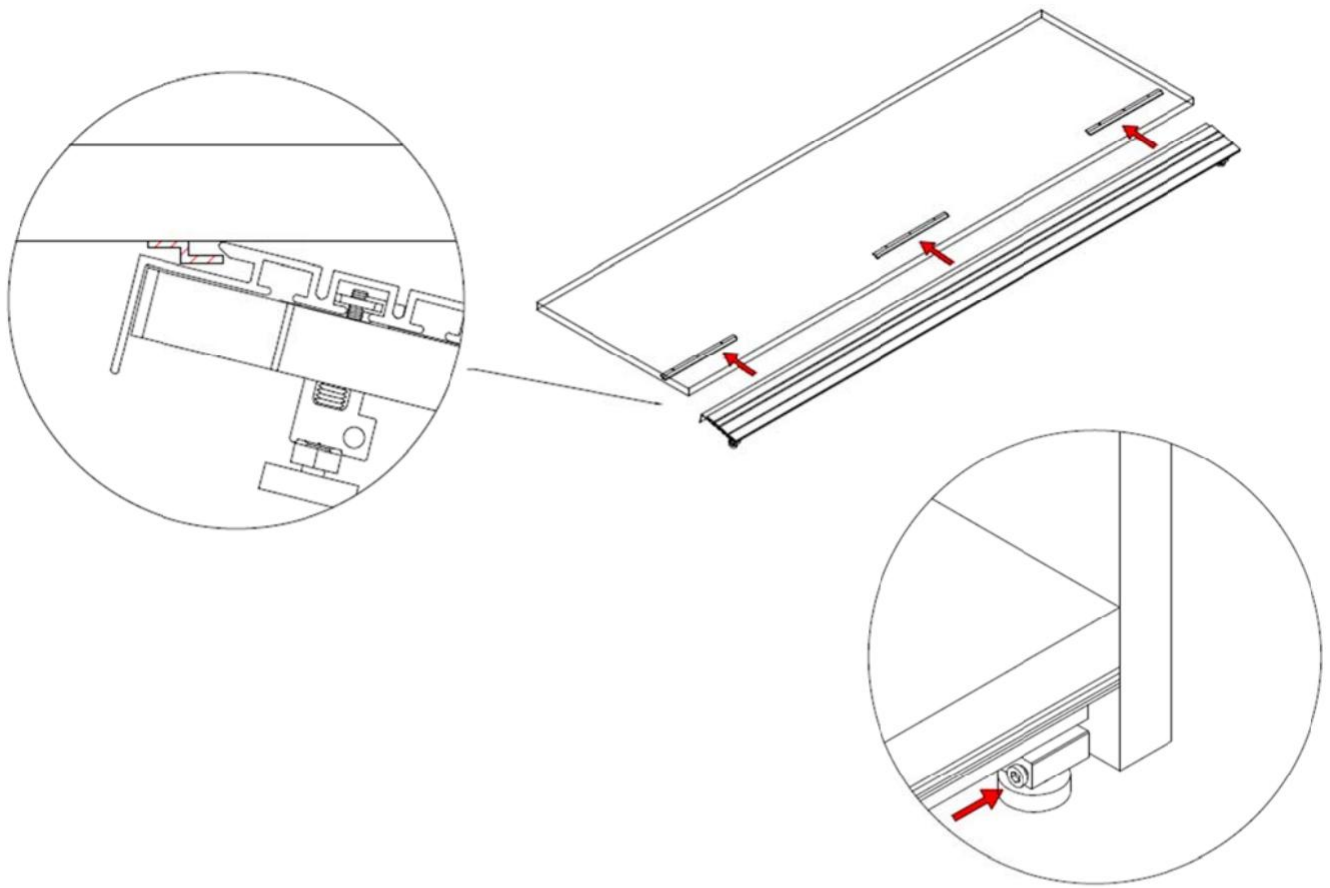
7. 柜体组装 (要求柜体正角无扭曲并固定于墙体)



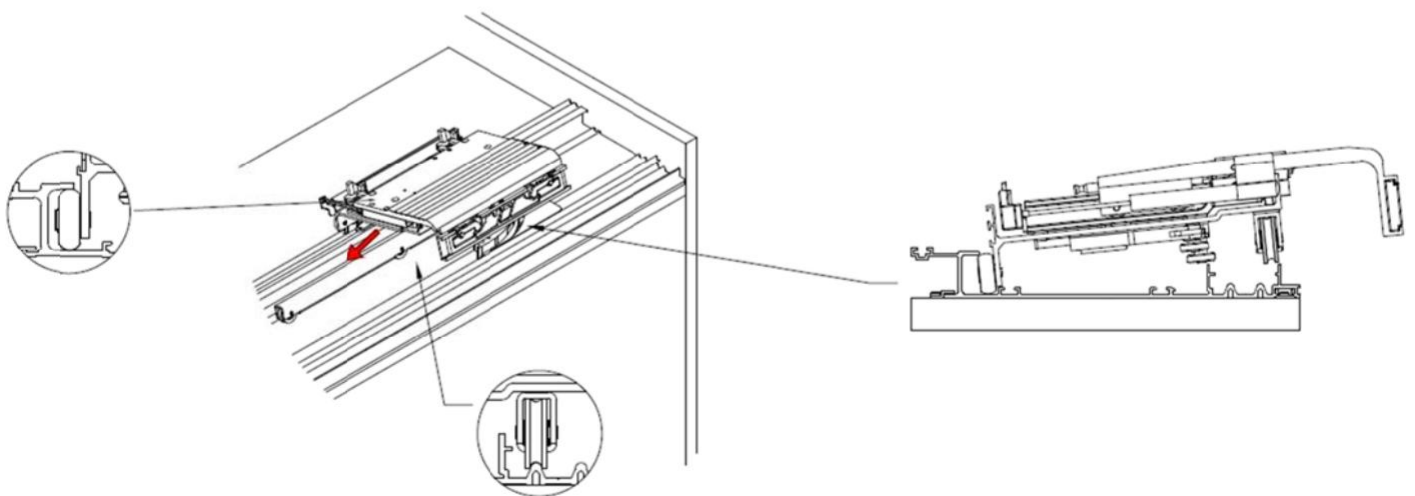
8. 装入上轨道



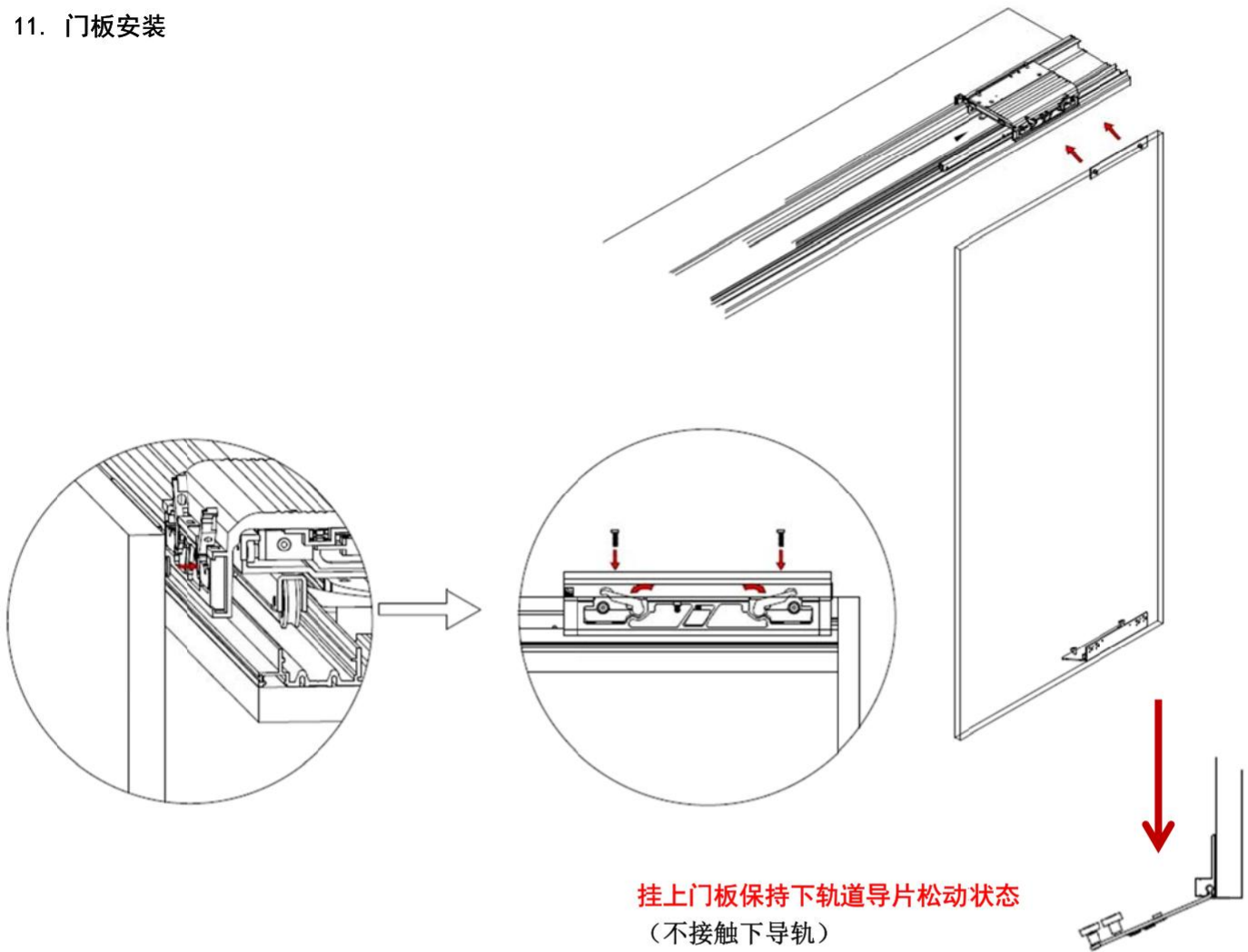
9. 装入下轨道，固定并调整支撑脚



10. 左右滑动机构装入上轨道



11. 门板安装

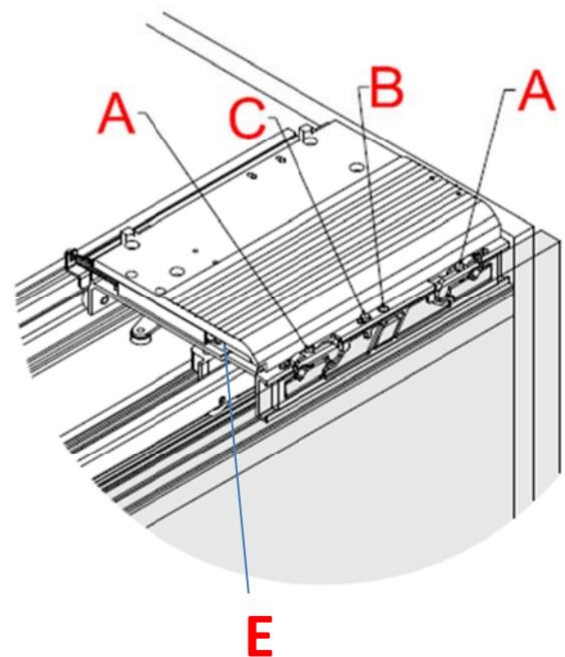


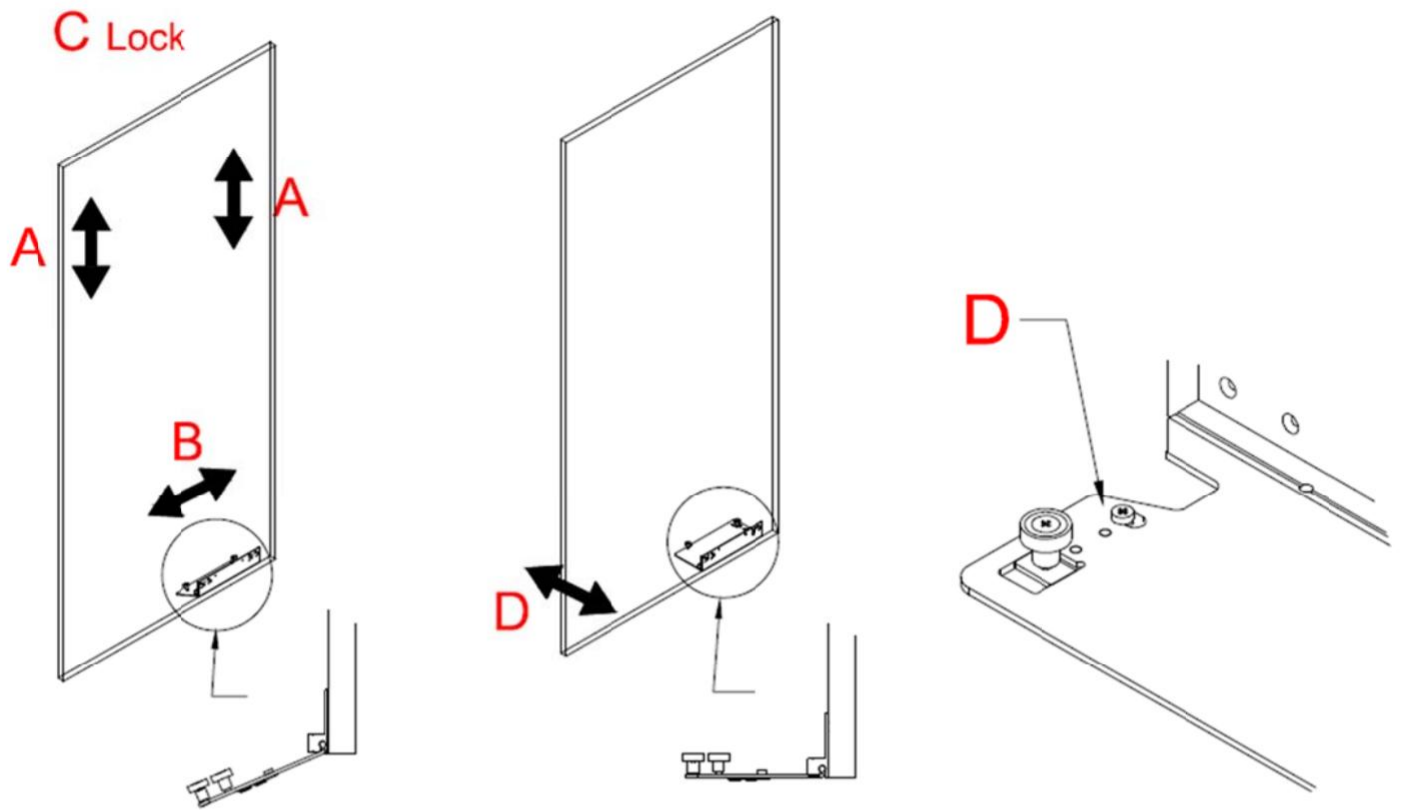
12. 门板调节

- A 上下调节
- B 左右调节 (先松开 C)
- C 左右调节后固定
- D 门板下口前后调节
- E 门板关闭阻尼快慢调节

调节顺序

A → B → C → 下轨道导片固定 → D → E





注意！完成 A,B,C 调节后下导片再扣入下轨道导槽内

13. 清洁轨道与滑轮并保持

