

Unico

by ambigence

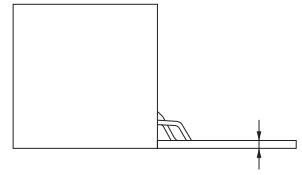
内置铰链型开门器

Opening mechanism with integrated hinge



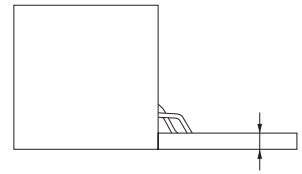
目录和技术手册

Catalogue and technical manual



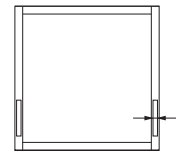
门厚18—20mm

Door's thickness from 18 to 20 mm



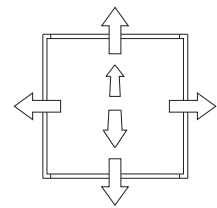
门厚22—30mm

Door's thickness from 22 to 30 mm



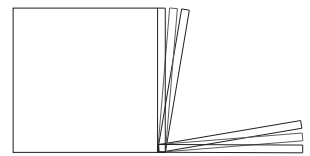
窄型产品厚度

Narrow mechanism's thickness



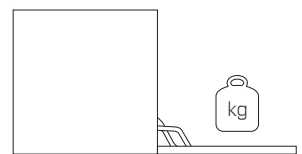
门位置3D调整

Door's position 3D adjustment



开关缓冲

Soft opening and soft closing



弹簧弹力调节

Spring's force adjustment



产品饰面

Mechanism's finishing



镀镍
Nickel plated



镀黑镍
Black nickel plated

盖片标准色 (RAL)

Cover's standard colors (RAL)



信号白
Signal white
RAL 9003



丝灰色
Silk grey
RAL 7044



石英灰
Quartz grey
RAL 7039



灰褐色
Grey brown
RAL 8019



铁灰色
Iron grey
RAL 7011



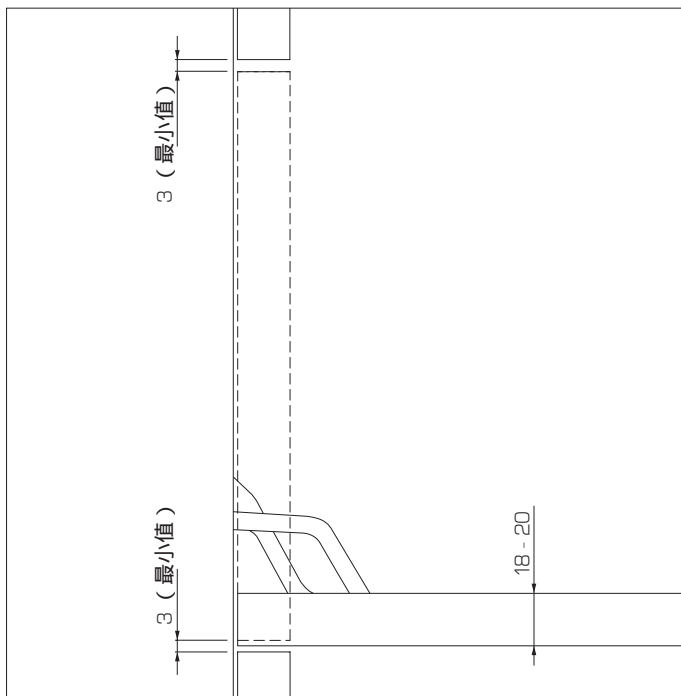
交通黑
Traffic black
RAL 9017

产品类型

Mechanisms types

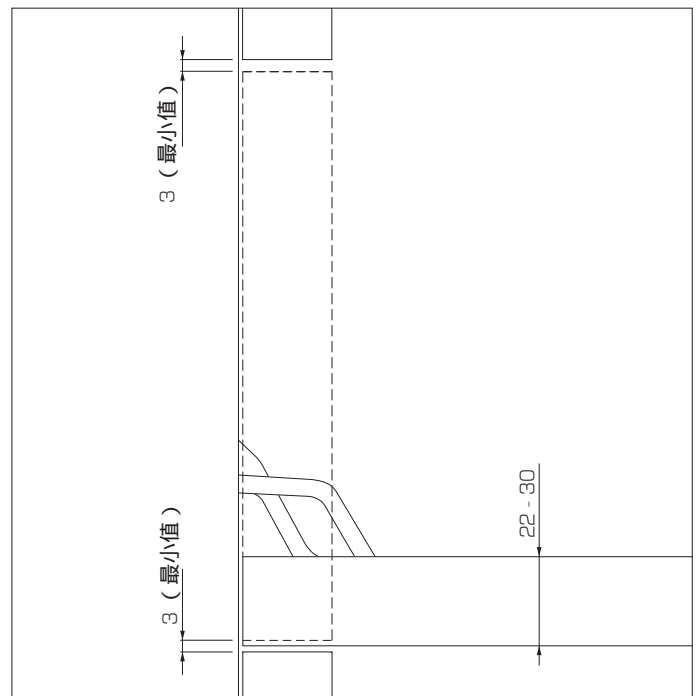
标准厚度

Standard thickness



加厚

Large thicknesses



警告

门和底板的厚度影响开门器的选择

The thickness of the door and base panel influence the choice of the mechanism



带盖片外部安装
External mounting with cover



以侧板为盖片嵌入侧板安装
Recessed mounting in cover side panel

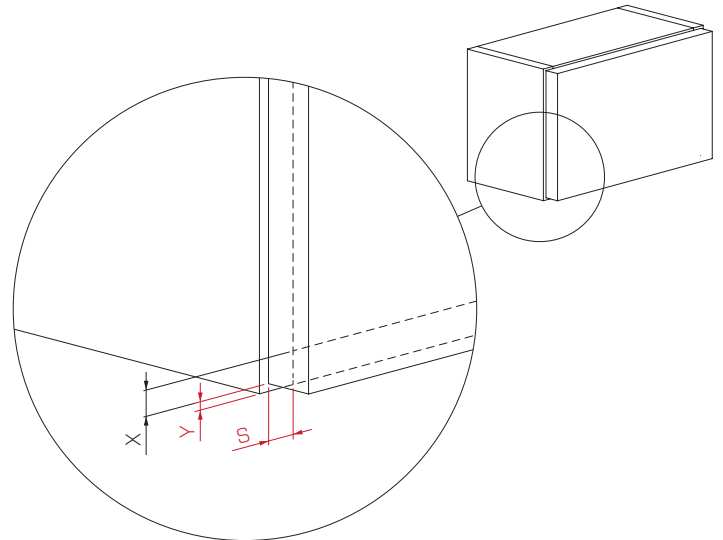
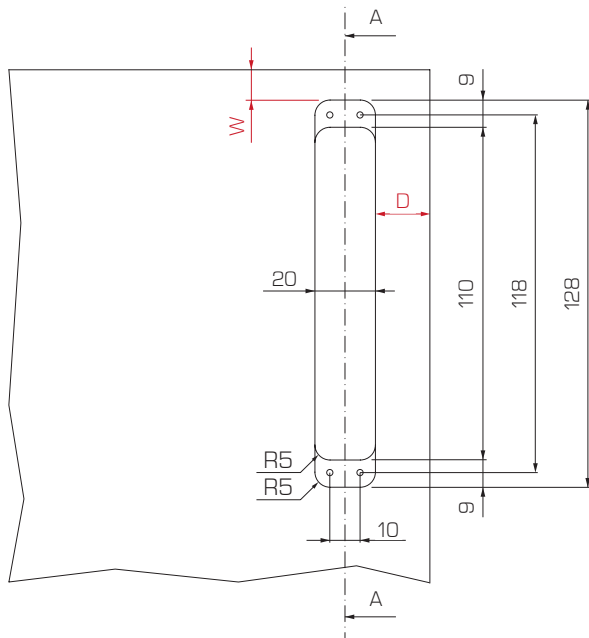


盖片平置外部安装
External mounting with flush cover

$$D = S + 1$$

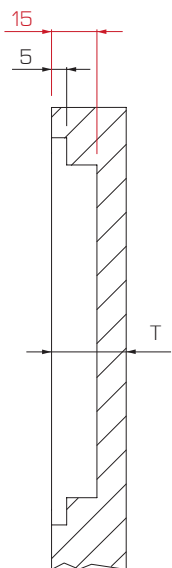
$$D = S + 1$$

$$D = S - 13,5$$



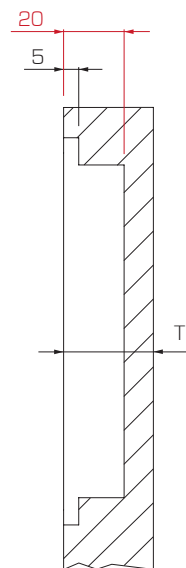
标准厚度
Standard thickness

加厚
Large thicknesses



Y	W
1	11
1,5	10,5
2	10
2,5	9,5
3	9
4	8
5	7

A-A



Y	W
1	16
1,5	15,5
2	15
2,5	14,5
3	14
4	13
5	12

A-A

侧板钻孔 (带盖片外部安装以及以侧板为盖片嵌入侧板安装)

Side panel drilling (External mounting with cover and Recessed mounting in cover side panel)



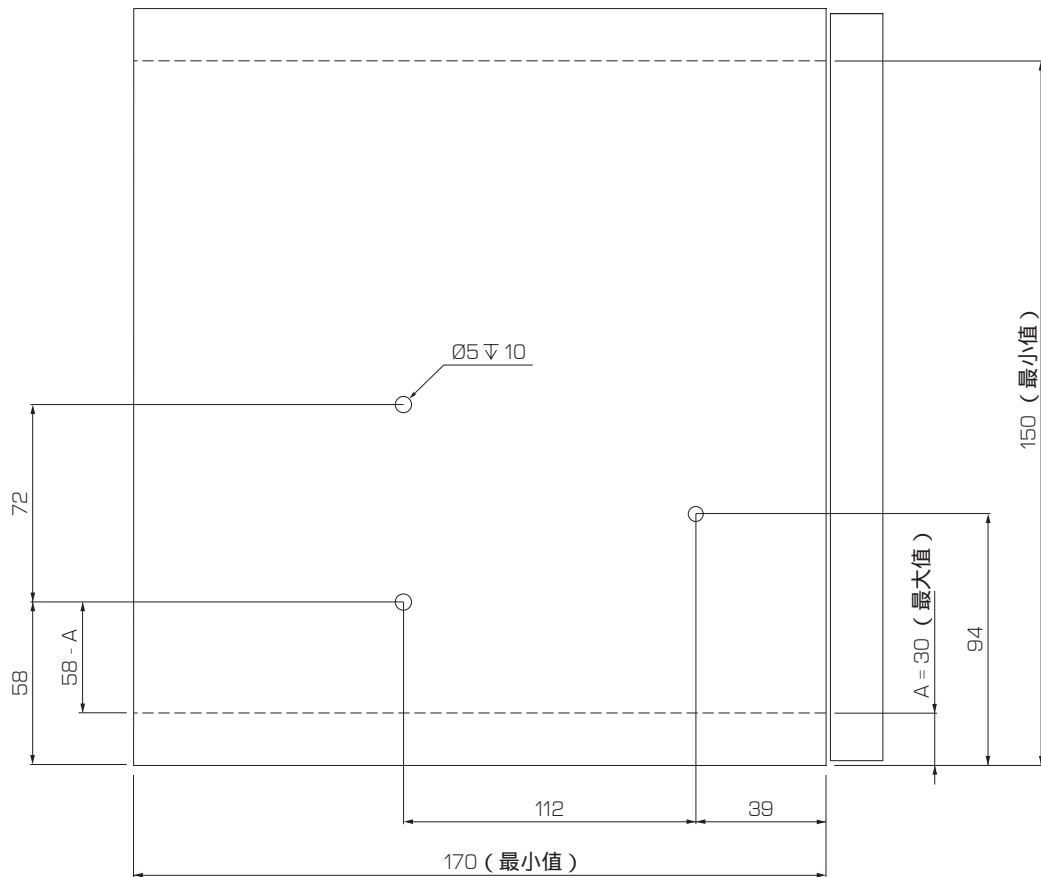
带盖片外部安装

External mounting with cover



以侧板为盖片嵌入侧板安装

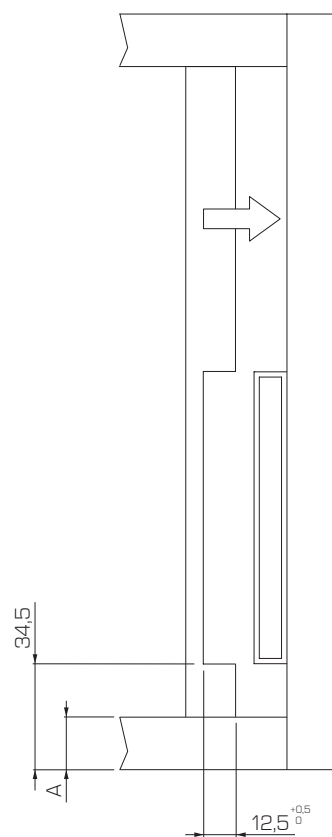
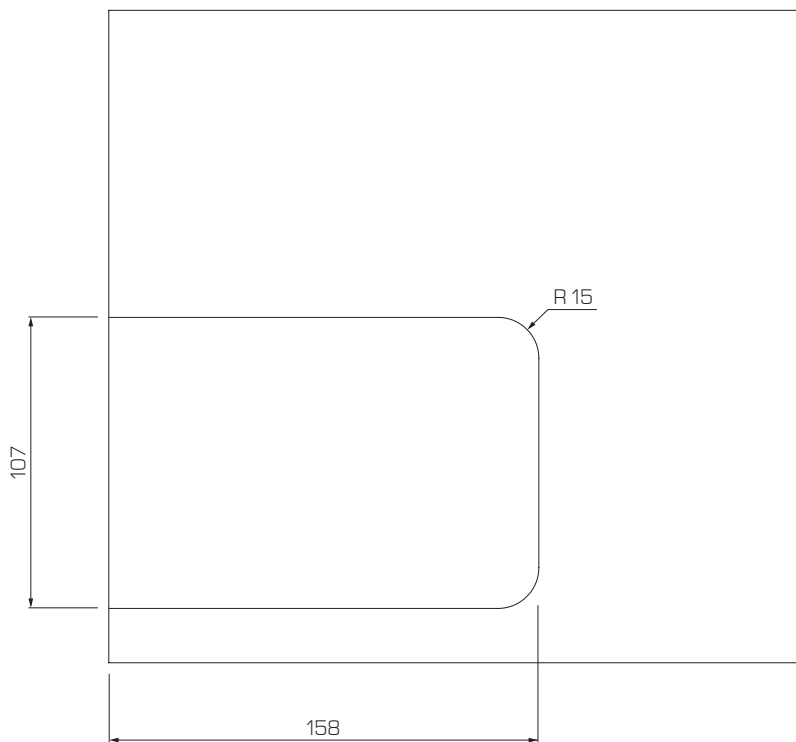
Recessed mounting in cover side panel



Lavorazioni contropalla (montaggio incassato in contropalla)
Cover side panel's workings (recessed mounting in cover side panel)



Montaggio incassato in contropalla
Recessed mounting in cover side panel



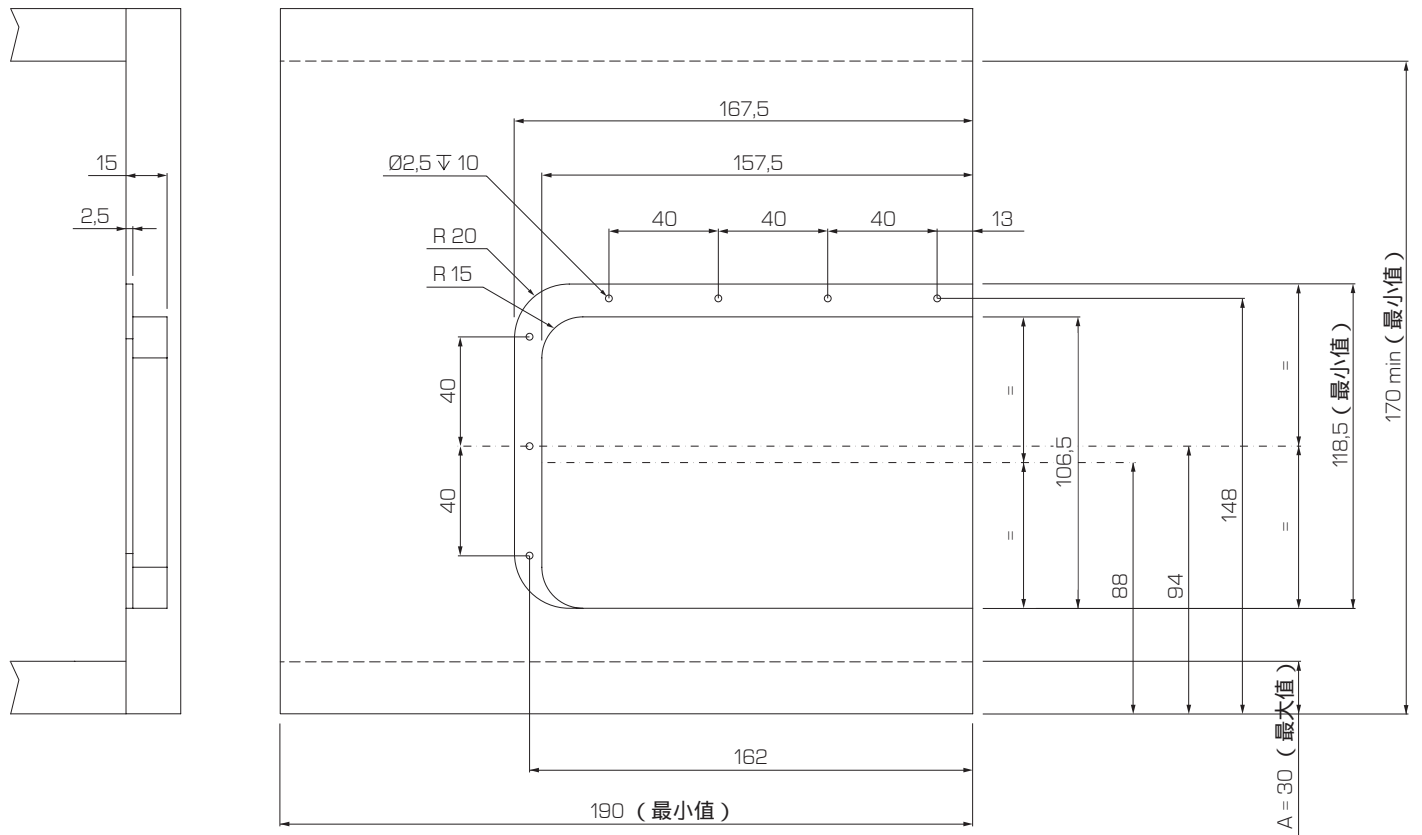
侧板钻孔 (盖片平置外部安装)

Side panel drilling (External mounting with flush cover)



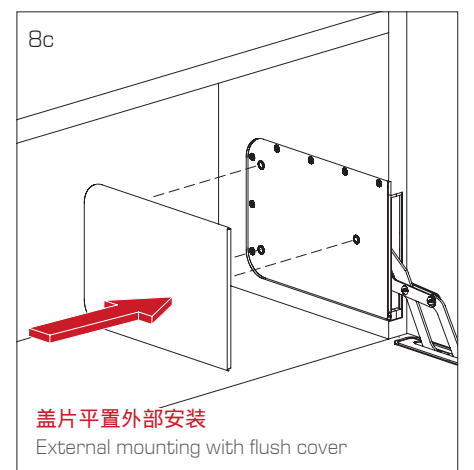
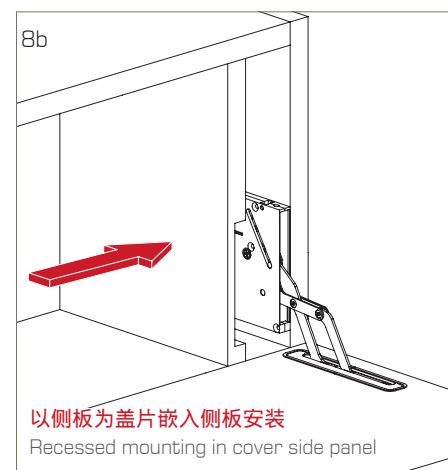
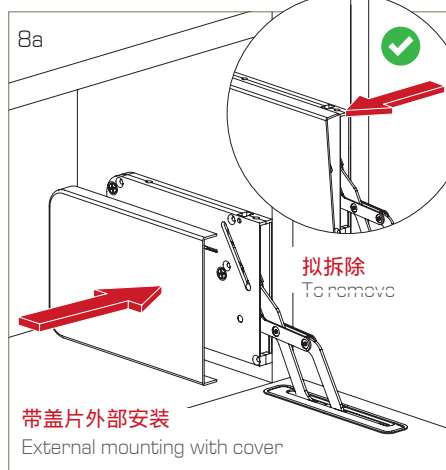
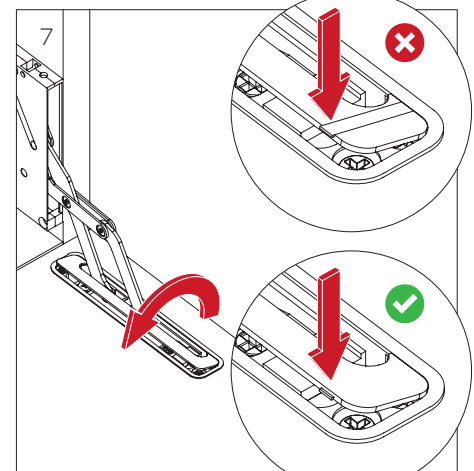
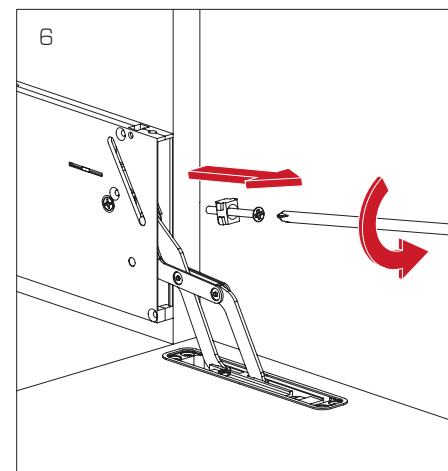
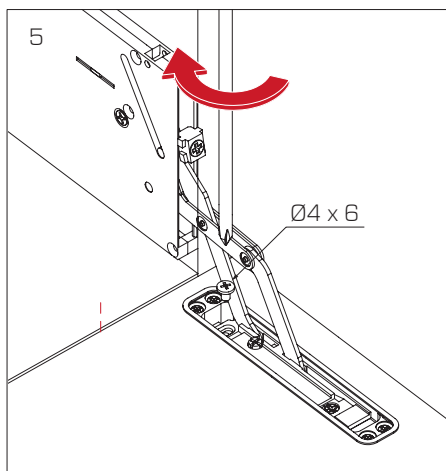
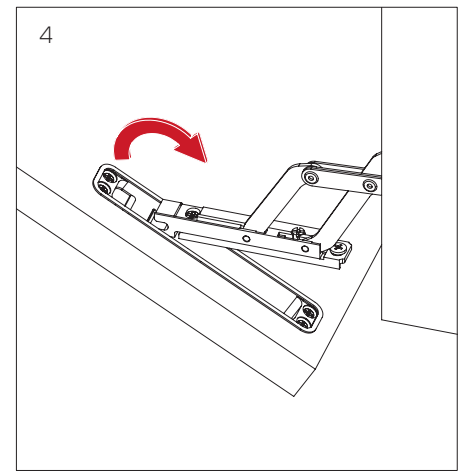
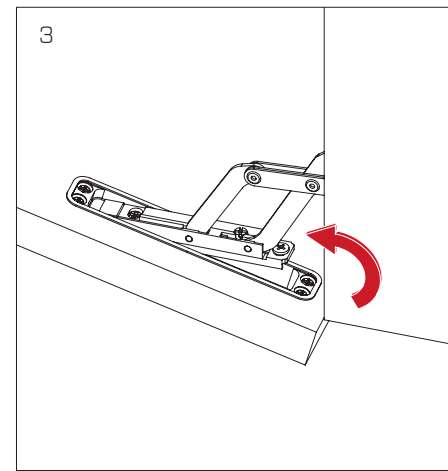
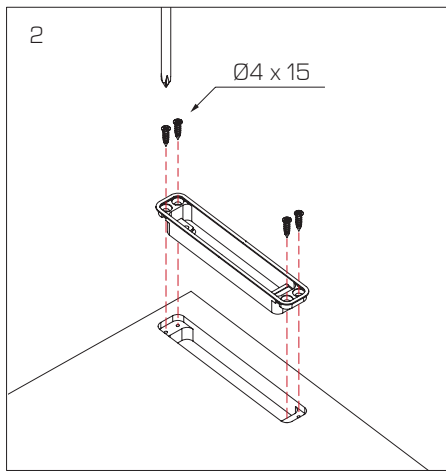
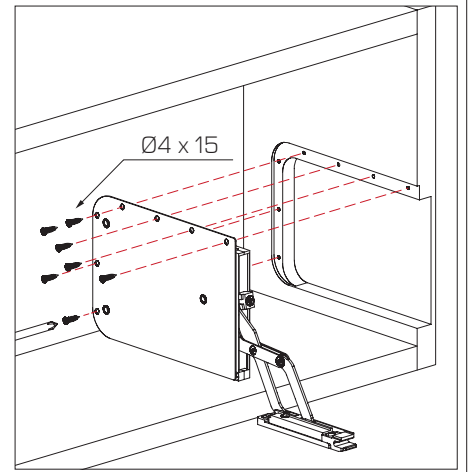
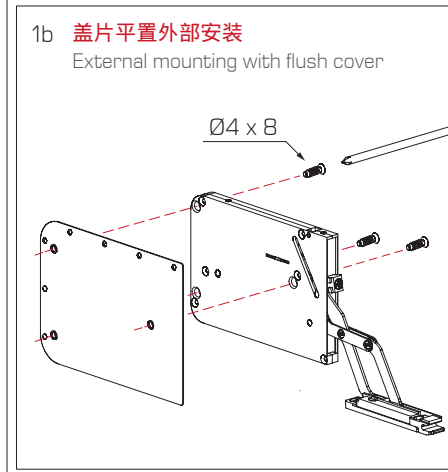
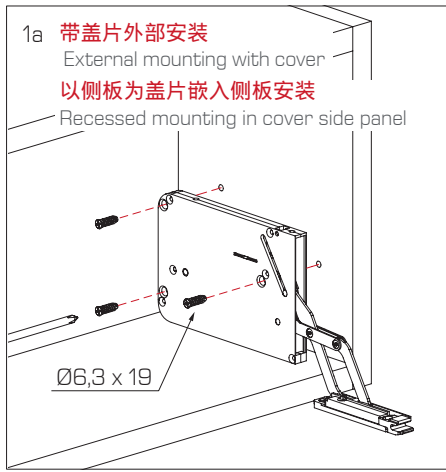
盖片平置外部安装

External mounting with flush cover

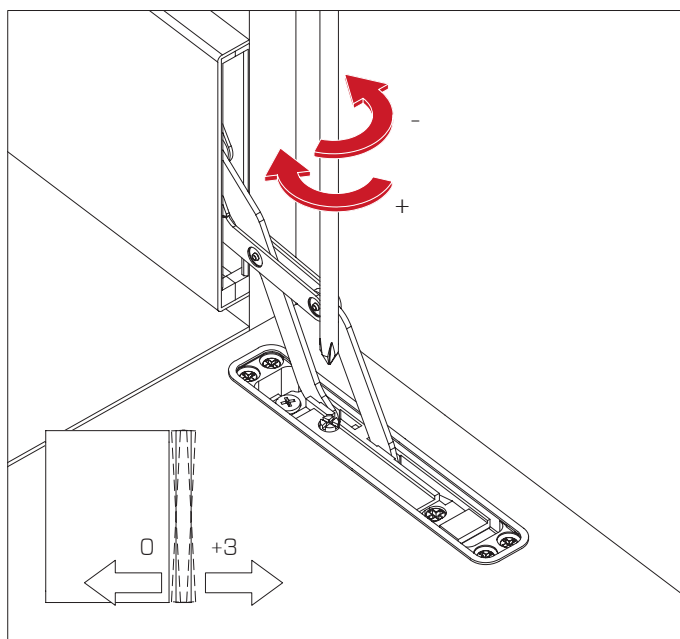
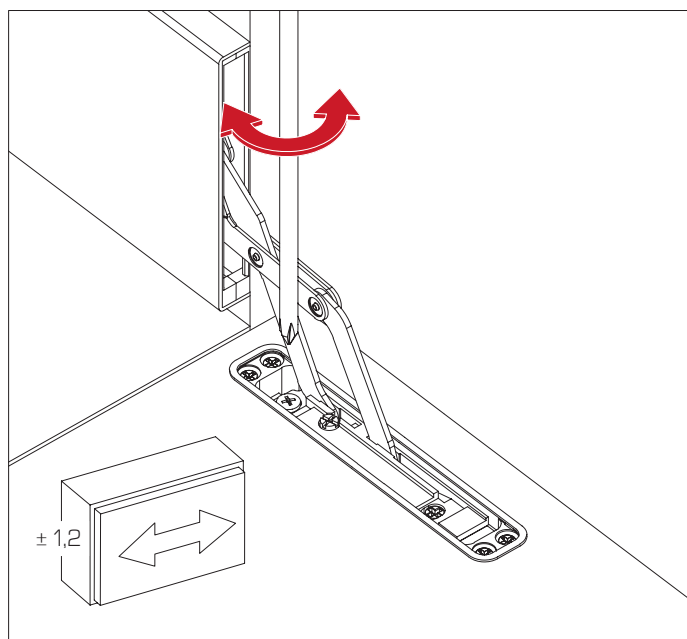
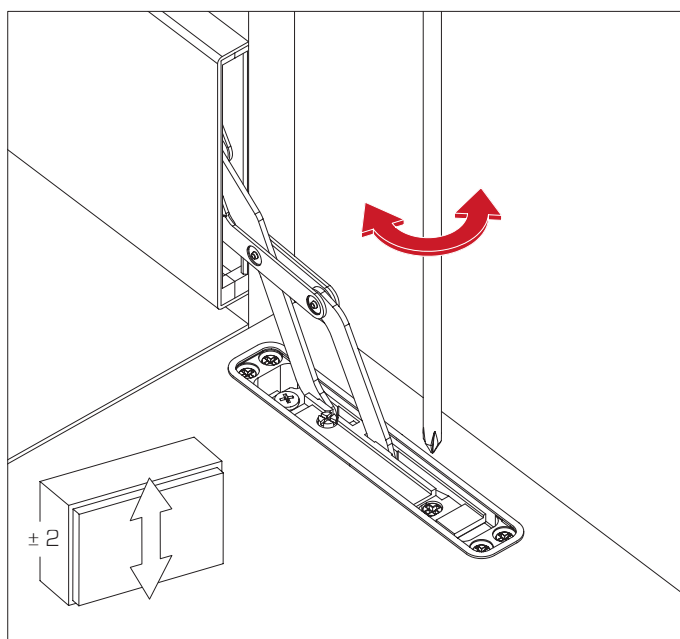
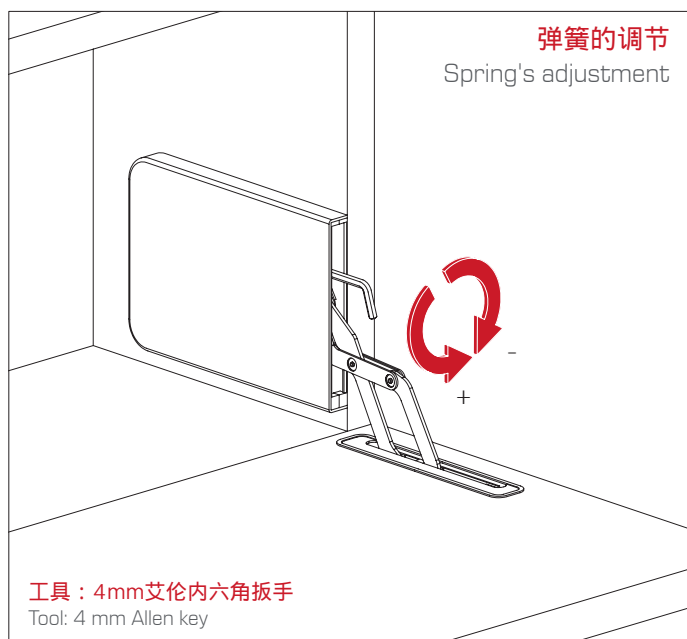


产品安装

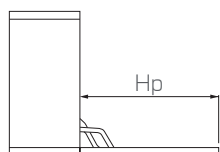
Mechanism mounting



调节 Adjustments



门重 (kg) Door weight tables (kg)



Hp	配置.1	配置.2	配置.3	配置.4	配置.5	配置.6
180 - 230	3,0 - 4,7	4,8 - 6,7	6,8 - 8,5	-	-	-
230 - 270	2,5 - 3,7	3,8 - 5,5	5,6 - 7,5	7,6 - 10,0	-	-
270 - 330	2,0 - 3,4	3,5 - 4,9	5,0 - 6,4	6,5 - 9,4	9,5 - 10,5	-
330 - 380	2,0 - 2,8	2,9 - 4,2	4,3 - 5,5	5,6 - 7,6	7,7 - 10,0	10,1 - 12,5
380 - 430	-	2,5 - 3,6	3,7 - 4,7	4,8 - 6,9	7,0 - 8,3	8,4 - 11,5
430 - 480	-	2,0 - 2,9	3,0 - 4,0	4,1 - 6,0	6,1 - 7,9	8,0 - 10,5



带盖片外部安装
External mounting with cover

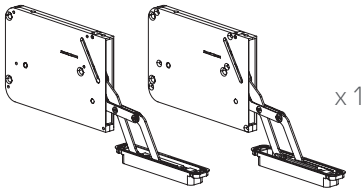


以侧板为盖片嵌入侧板安装
Recessed mounting in cover side panel

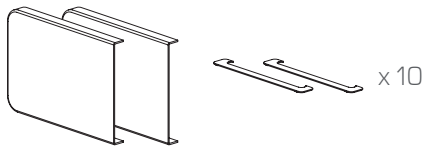


盖片平置外部安装
External mounting with flush cover

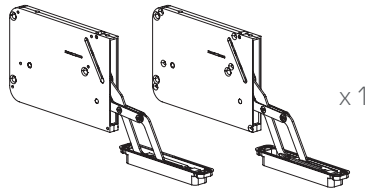
1套产品 (左侧+右侧)
1 SET of mechanisms (left+right)



10套盖片 (用于产品与门的连接)
10 SET of covers
(for mechanisms and door connections)



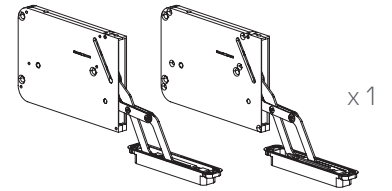
1套产品 (左侧+右侧)
1 SET of mechanisms (left+right)



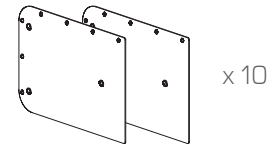
20个盖片 (用于与门的连接)
20 covers (for door connections)



1套产品 (左侧+右侧)
1 SET of mechanisms (left+right)



10套板片 (左侧+右侧)
10 SET of plates (left+right)



10套板片 (左侧+右侧)
10 SET of plates (left+right)

