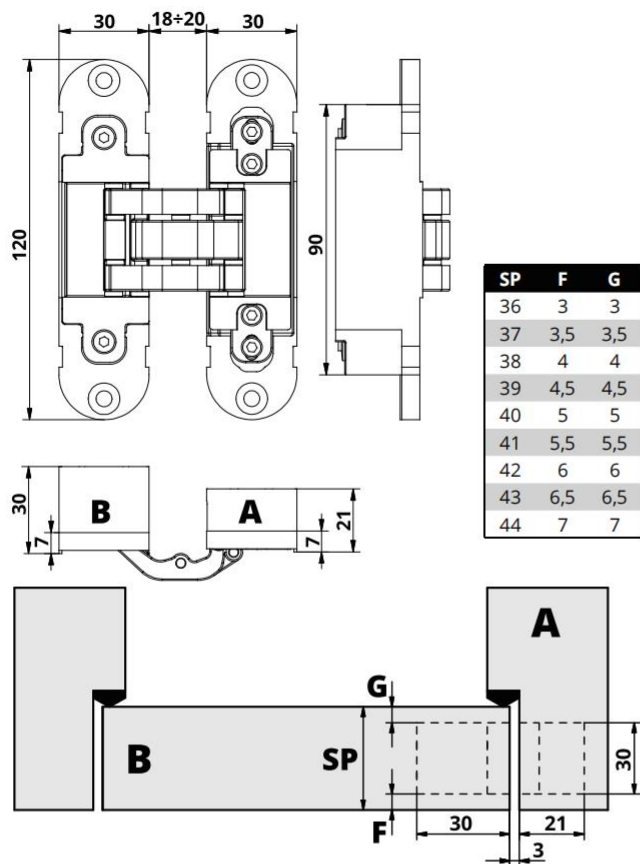


铰链安装数量

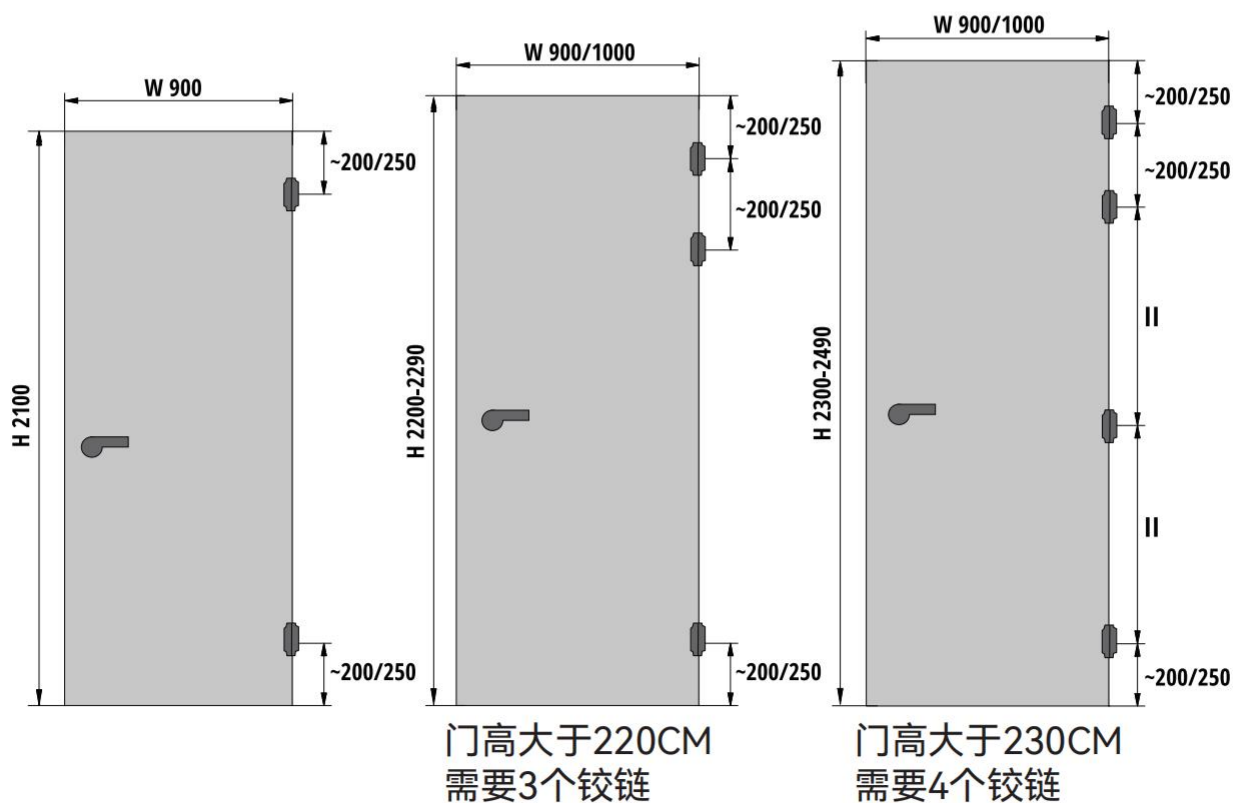


需要的铰链数量和房门高度有关，增加铰链数量不能等比增加整体承重能力。

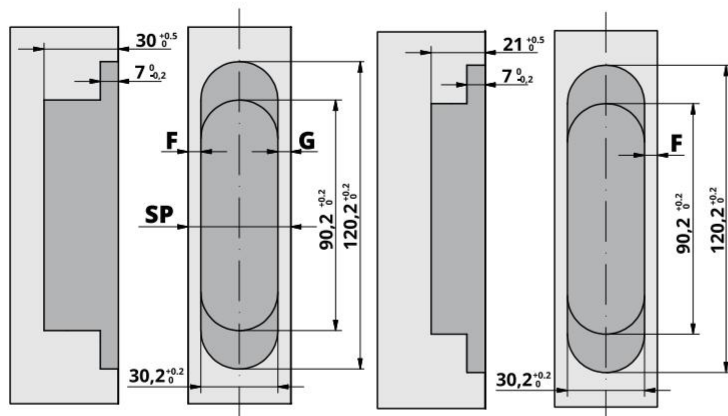
房门重量超过铰链承重，请更换其他规格型号铰链

注：请确认房门和门框企口形式和厚度

铰链数量和安装位置参考图

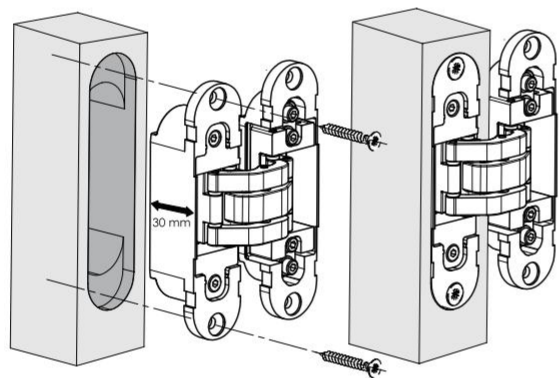


铰链安装步骤

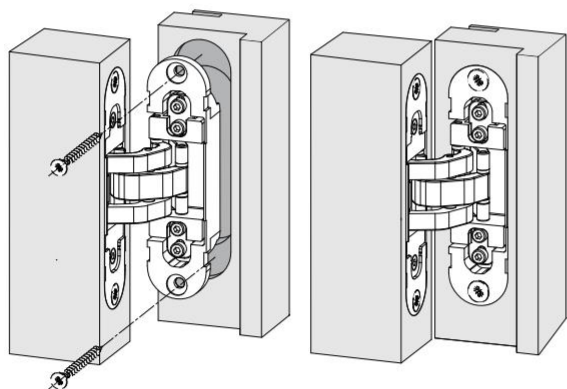


房门开孔尺寸

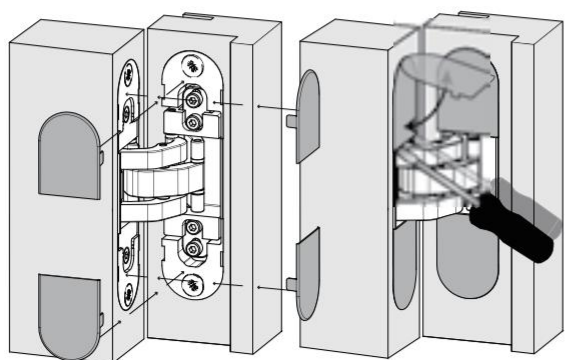
门框开孔尺寸



1、将铰链中标有“门”字样的部件（深度30毫米）嵌入房门的加工凹槽中，注意确保其朝向正确的开门方向，随后使用合适的木螺丝固定铰链。

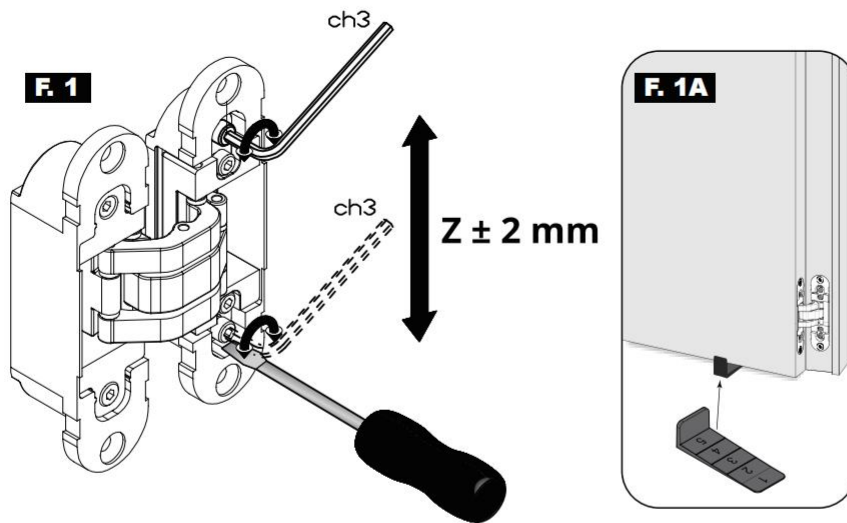


2、将铰链的框架部件（深度21毫米）嵌入对应的加工凹槽中，以此将房门安装至框架上，随后使用合适的木螺丝固定铰链。



3、盖上盖板

铰链调整方法



高度调整

1、松开螺丝

使用3毫米六角扳手，松开框架侧铰链部件中标为图1所示的两颗螺丝。

2、调整柜门位置

将柜门向上提拉至正确位置。

辅助方法：

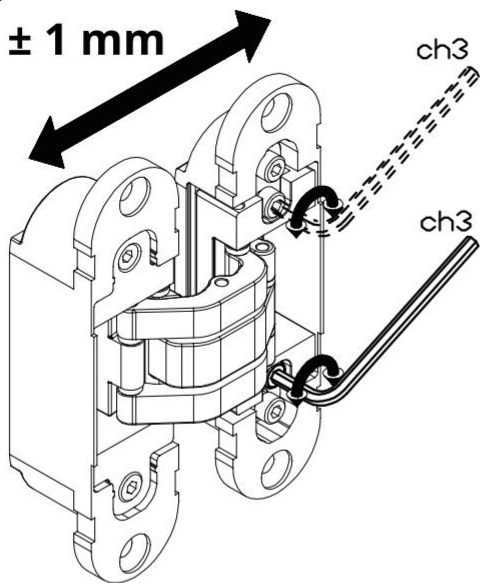
- 将平头螺丝刀尖端插入铰链卡槽，或
- 使用配备5个调节垫片的Otlav楔块（见图1A）。

3、紧固螺丝

关键操作顺序：

- 若已使用螺丝刀辅助操作，从该铰链开始，按顺序紧固所有螺丝。
- 扭矩要求：务必使用5-6牛·米的力度（！此参数不可忽略！）。

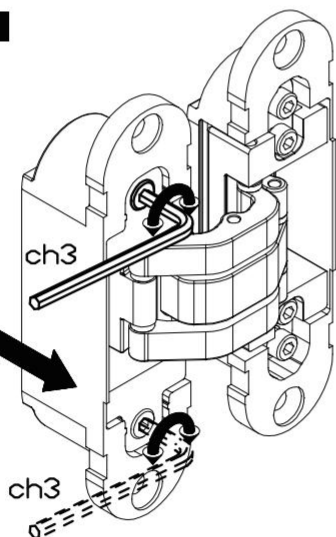
F.3

 $Y \pm 1 \text{ mm}$ 

倾斜调整

- 1、工具准备：使用3毫米六角扳手。
- 2、调节方法：交替拧动图2中标示的两颗调节螺丝（顺时针拧紧可缩小间隙，逆时针松开可扩大位置）。
- 3、注意事项：
 - 需交替微调两颗螺丝（不可单侧完全拧紧后再处理另一侧），以确保铰链受力

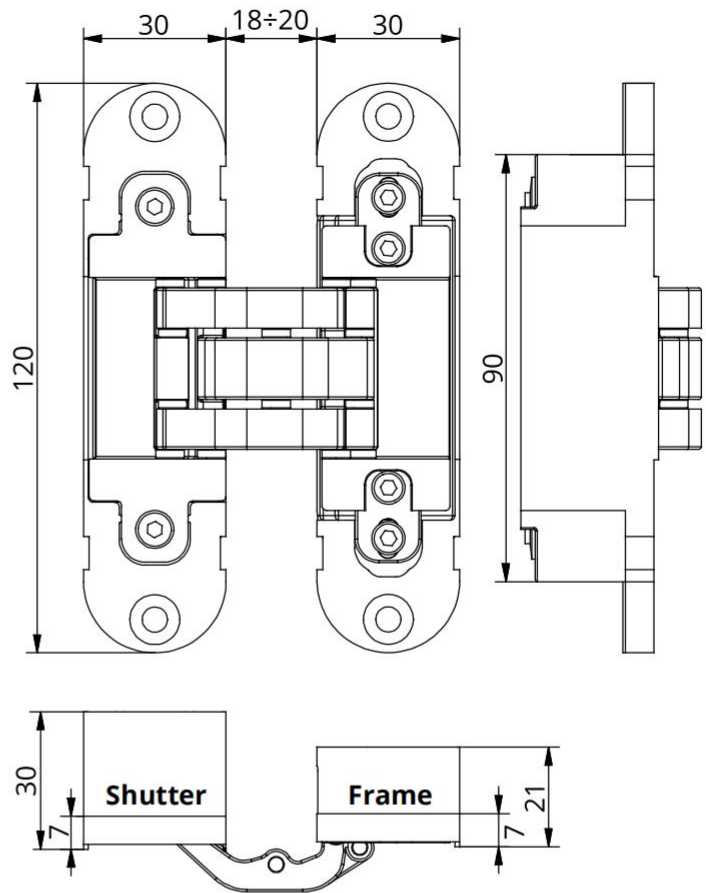
F.2

 $X \pm 1 \text{ mm}$ 

深度调整

- 1、松开螺丝
使用3毫米六角扳手，松开框架侧铰链部件中标为图3所示的两颗螺丝。
- 2、调整房门位置
将柜门移动至指定位置，确保与框架对齐。
- 3、紧固螺丝
关键操作：
 - 按图3所示顺序重新紧固螺丝。
 - 扭矩要求：必须使用5-6牛·米的力度（！此参数直接影响铰链稳定性！）。

IN300120 3D hinge for 60 kg. doors

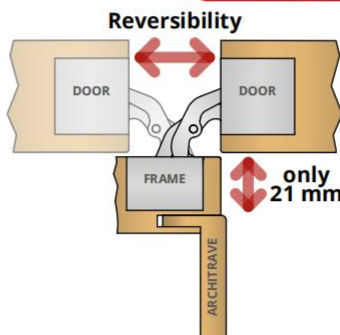


Technical data

Capacity*	60 Kg.
Hinge height	120 mm
Width shutter side	30 mm
Width frame side	30 mm
Depth shutter side	30 mm
Depth frame side	21 mm
Door opening angle	180°
Side adjustment	± 1 mm
Height adjustment	± 2 mm
Depth adjustment	± 1 mm

* Tested with 90x210 cm doors - For more information on the number of hinges to be used according to the weight and dimension of the door, please see the loading charts available on the website www.otlav.it.

PATENTED

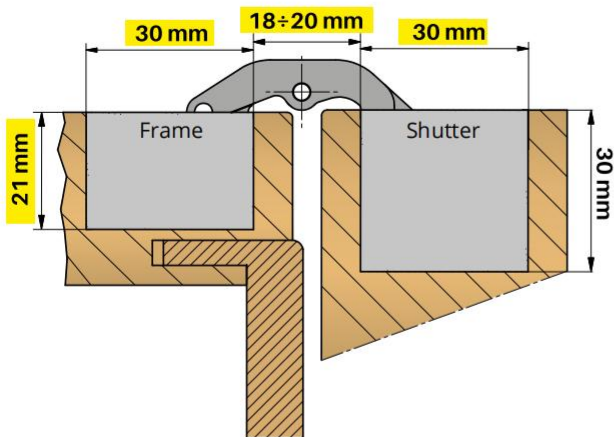


IN300 hinge allows at the same time:

Reversibility of the door with hinge mounted in the center of the door thickness.

No need to cut the architrave thanks to only 21 mm of frame slot depth. Patented EP-B2719851.

Technical features



- A 21 mm depth slot on the frame side makes it unique and enables its **perfect integration in reduced spaces**. No need to cut the architrave which can be flush mounted.
- The hinge is reversible, if mounted in the center of the door thickness, allows the **reversibility of the door**, thus enabling the optimization of the stock and logistics at installation.
- Movement on **7 junction fulcrums** equipped with bearing in plastic HT with high resistance and long life.
- Equipped with **3-way adjustments** that can be settled by means of just one 3 mm hex-spanner. Once installed, the door has natural sinking, Invisacta hinge allows to set the door back to the start position.
- Material of hinge: zamak.
- **The hinge can be fitted with door closing devices.**
- Outer casings protect the inner junction fulcrums against rubble coming from door installation works.
- The clamping screws, placed in the outer casings, are not used for hinge adjustment, therefore they remain stable for a long time.
- Material of hinge: ZAMAK.
- **CE certified** - according European Assessment Document 020001-01-0405
- **Fireproof certified 30'** according UNI-EN 1634-2.
- **Aluminum caps** available to conceal the screws.

Finishing



Hinge **IN300120V702**
Caps **GC300010J102**
Satinized Silver Plated



Hinge **IN300120VN02**
Caps **GC300010J205**
Satinized Nickel Plated



Hinge **IN3001209P02**
Caps **GC3000109P02**
White Matt RAL 9016



Hinge **IN300120H004**
Caps **GC300010J102**
Zinc Plated



Hinge **IN300120B002**
Caps **GC3000109R02**
Bronze Plated



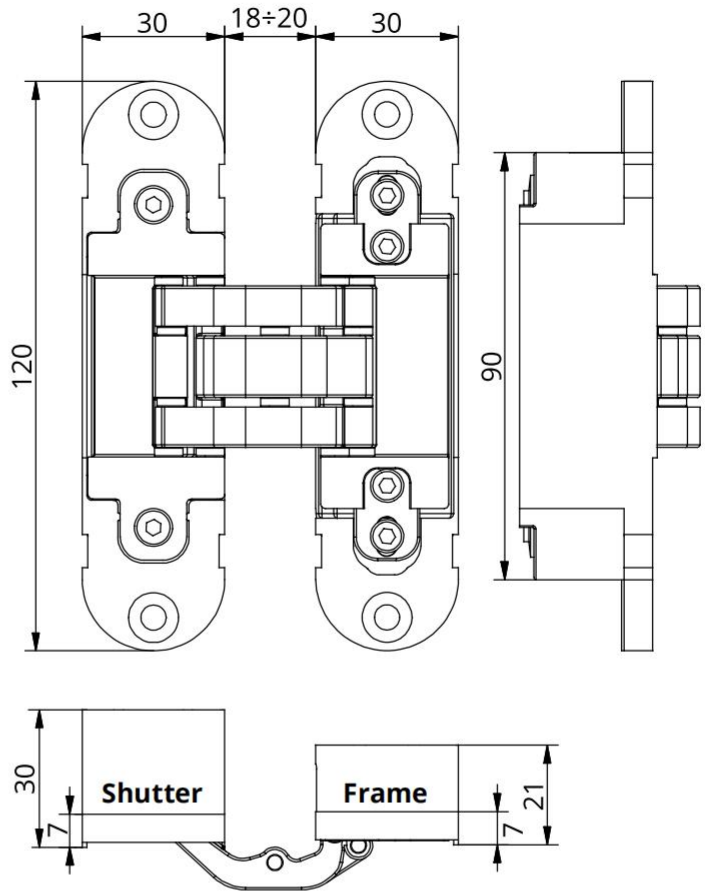
Hinge **IN300120V002**
Caps **GC300010J005**
Polished Gold



Hinge **IN3001209N02**
Caps **GC3000109N02**
Matt Black Plastified

**OTHER KIND OF FINISHING
AVAILABLE ON REQUEST**

IN303120 3D invisible hinge for 80 kg. doors

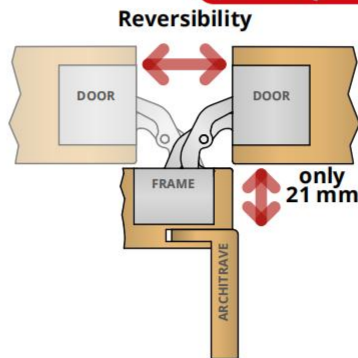


Technical data

Capacity*	80 Kg.
Hinge height	120 mm
Width shutter side	30 mm
Width frame side	30 mm
Depth shutter side	30 mm
Depth frame side	21 mm
Door opening angle	180°
Side adjustment	± 1 mm
Height adjustment	± 2 mm
Depth adjustment	± 1 mm

* Tested with 90x210 cm doors - For more information on the number of hinges to be used according to the weight and dimension of the door, please see the loading charts available on the website www.otlav.it.

PATENTED

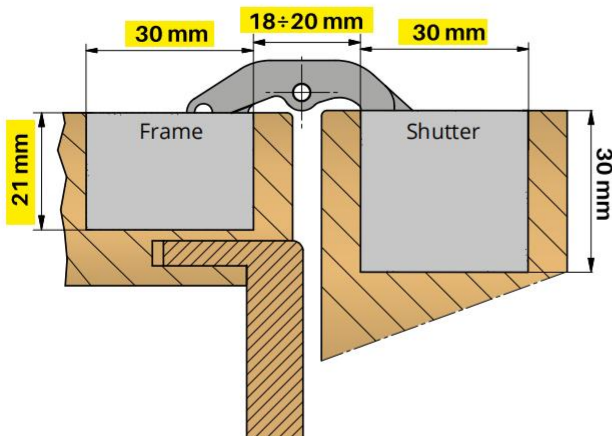


IN303 hinge allows at the same time:
Reversibility of the door with hinge mounted in the center of the door thickness.

No need to cut the architrave thanks to only 21 mm of frame slot depth.

Patented EP-B2719851.

Technical features



- A 21 mm depth slot on the frame side makes it unique and enables its **perfect integration in reduced spaces**. No need to cut the architrave which can be flush mounted.
- The hinge is reversible, if mounted in the center of the door thickness, allows the **reversibility of the door**, thus enabling the optimization of the stock and logistics at installation.
- Movement on **7 junction fulcrums** equipped with bearing in plastic HT with high resistance and long life.
- Equipped with **3-way adjustments** that can be settled by means of just one 3 mm hex-spanner. Once installed, the door has natural sinking, Invisacta hinge allows to set the door back to the start position.
- Outer casings protect the inner junction fulcrums against rubble coming from door installation works.
- The clamping screws, placed in the outer casings, are not used for hinge adjustment, therefore they remain stable for a long time.
- **The hinge can be fitted with door closing devices.**
- Material of levers: aluminum.
- Material of casing: zamak.
- **CE certified** - according European Assessment Document 020001-01-0405.
- **Fireproof certified 45'** according UNI-EN 1634-1.
- **UL certified - Fireproof 90'** - standard UL 10C.
- **Aluminum caps** available to conceal the screws.

Finishing



Hinge **IN303120V702**
Caps **GC300010J102**
Satinized Silver Plated



Hinge **IN303120VN02**
Caps **GC300010J205**
Satinized Nickel Plated



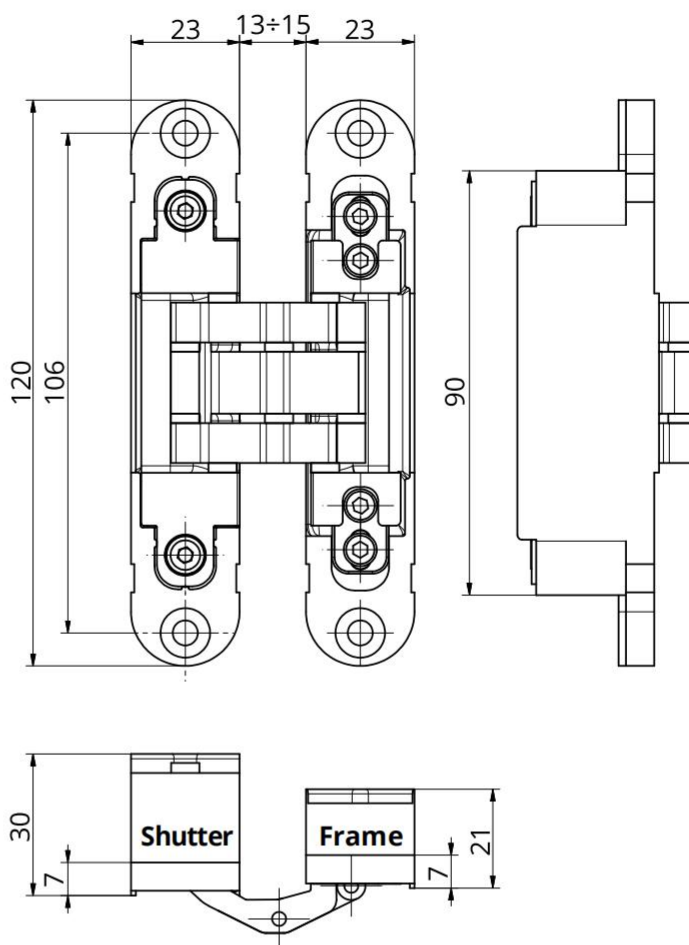
Hinge **IN303120VO02**
Caps **GC300010JO05**
Polished Gold



Hinge **IN303120VD02**
Caps **GC300010VD02**
Polished Chrome

**OTHER KIND OF FINISHING
AVAILABLE ON REQUEST**

IN230120 3D invisible hinge for 60 kg. doors

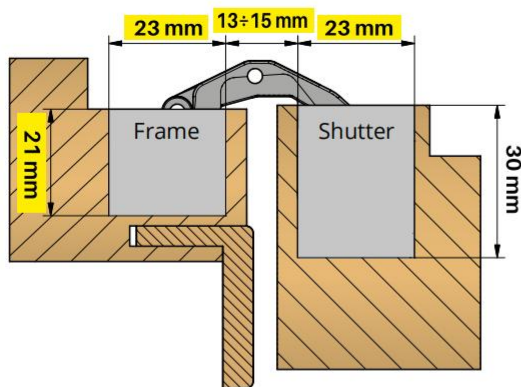


Technical data

Capacity*	60 Kg.
Hinge height	120 mm
Width shutter side	23 mm
Width frame side	23 mm
Depth shutter side	30 mm
Depth frame side	21 mm
Door opening angle	180°
Side adjustment	± 1 mm
Height adjustment	± 2 mm
Depth adjustment	± 1 mm

* Tested with 90x210 cm doors - For more information on the number of hinges to be used according to the weight and dimension of the door, please see the loading charts available on the website www.otlav.it.

Technical features



- A **21 mm depth slot** on the frame side makes it unique and enables its perfect integration in reduced spaces. No need to cut the architrave which can be flush mounted.
- Movement on **7 junction fulcrums** equipped with bearing in plastic HT with high resistance and long life.
- Equipped with **3-way adjustments** that can be settled by means of just one 3 mm hex-spanner. Once installed, the door has natural sinking, Invisacta hinge allows to set the door back to the start position.
- The hinge is reversible.
- **The hinge can be fitted with door closing devices.**
- Outer casings protect the inner junction fulcrums against rubble coming from door installation works.
- The clamping screws, placed in the outer casings, are not used for hinge adjustment, therefore they remain stable for a long time.
- Material of hinge: ZAMAK.
- **CE certified** - according European Assessment Document 020001-01-0405
- **Fireproof certified 30'** according UNI-EN 1634-2
- **Aluminum caps** available to conceal the screws.

Finishing



Hinge **IN230120V702**
Caps **GC230010J102**
Satinized Silver Plated



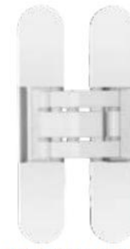
Hinge **IN230120H004**
Caps **GC230010J102**
Zinc Plated



Hinge **IN230120VN02**
Caps **GC230010J202**
Satinized Nickel Plated



Hinge **IN230120B002**
Caps **GC2300109R02**
Bronze Plated



Hinge **IN2301209P02**
Caps **GC2300109P02**
White Matt RAL 9016



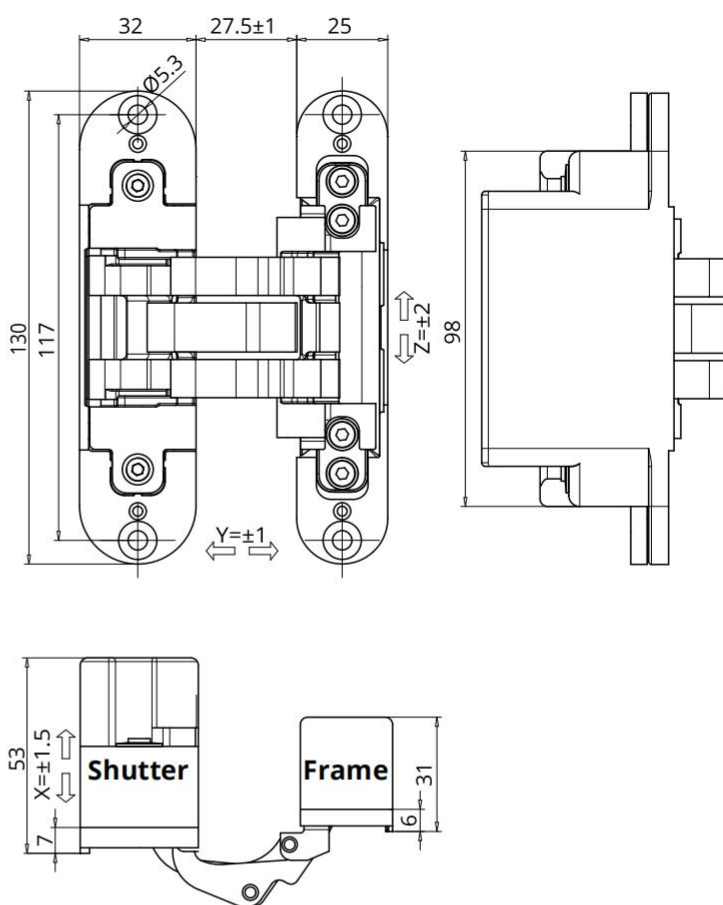
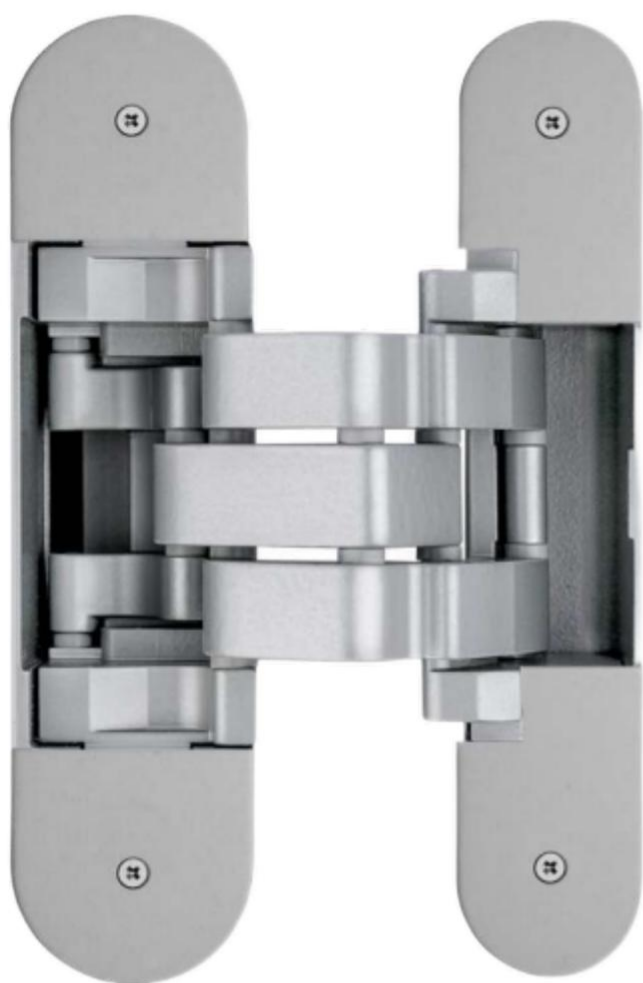
Hinge **IN230120V002**
Caps **GC230010J005**
Polished Gold



Hinge **IN2301209N02**
Caps **GC2300109N02**
Matt Black Plastified

**OTHER KIND OF FINISHING
AVAILABLE ON REQUEST**

IN570130 3D offset concealed hinge for 60 kg. doors

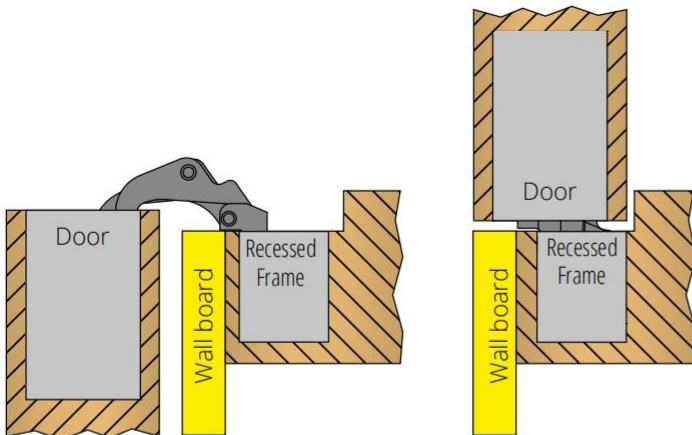


Technical data

Capacity*	60 Kg.
Hinge height	130 mm
Width shutter side	32 mm
Width frame side	25 mm
Depth shutter side	53 mm
Depth frame side	31 mm
Door opening angle	180°
Side adjustment	± 1.5 mm
Height adjustment	± 2 mm
Depth adjustment	± 1 mm

* Tested with 90x210 cm doors - For more information on the number of hinges to be used according to the weight and dimension of the door, please see the loading charts available on the website www.otlav.it.

Technical features



- The hinge is suitable to be installed on doors with **recessed frame** to accept application of wall board to match the door.
- Suitable for installation on panels with **thickness 40 and 44 mm**.
- The hinge can be installed with mounted gasket up to 6 mm thick.
- Allows the application of very thick architraves or coating panels: up to 18 mm.
- Material of casing: zamak.
- Material of levers: aluminum.
- The hinge is reversible, if mounted in the center of the door thickness, allows the **reversibility of the door**, thus enabling the optimization of the stock and logistics at installation.
- Movement on **7 junction fulcrums** equipped with bearing in plastic HT with high resistance and long life.
- Equipped with **3-way adjustments** that can be settled by means of just one hex-spanner. Once installed, the door has natural sinking, Invisacta hinge allows to set the door back to the start position.
- Outer casings protect the inner junction fulcrums against rubble coming from door installation works.
- The clamping screws, placed in the outer casings, are not used for hinge adjustment, therefore they remain stable for a long time.
- Equipped with **caps** to conceal the screws.

Finishing



IN570130V703
Satinized Silver Plated



IN570130VN03
Satinized Nickel Plated

**OTHER KIND OF FINISHING
AVAILABLE ON REQUEST**