



ASSEMBLY INSTRUCTIONS / 安装说明书

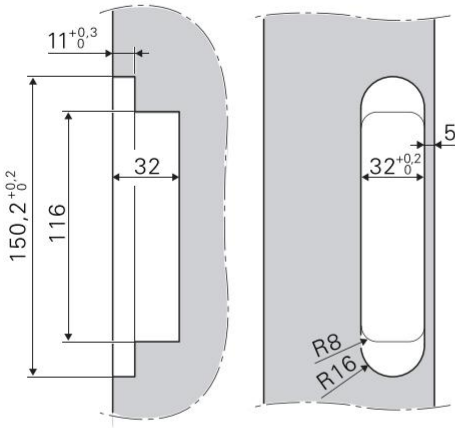
KIT REI CM / REI SM

Concealed self-closing hinge
自闭隐藏合页

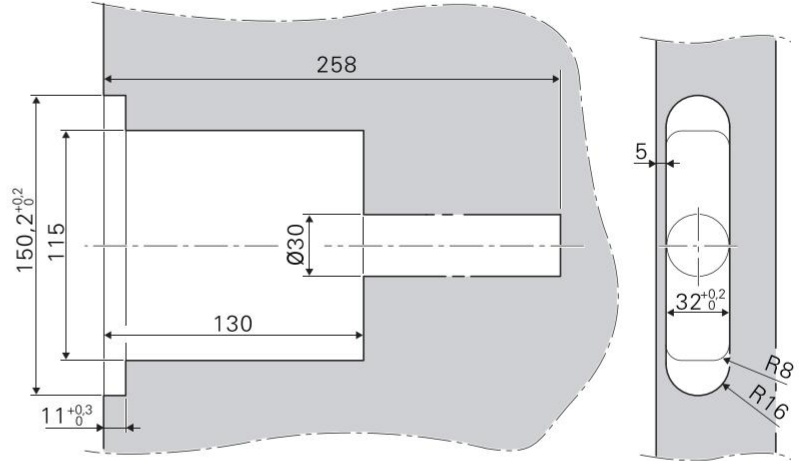


带有自闭装置的合页开孔说明 Hinge millings with self-closing device

门框部分 / FRAME PART

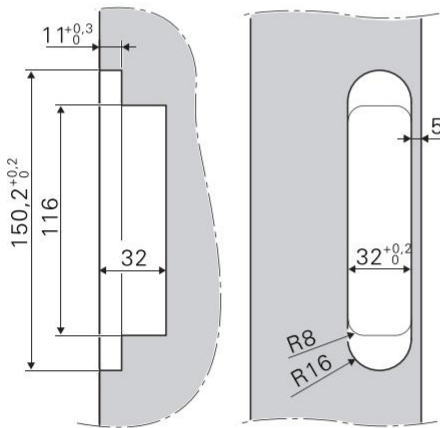


门扇部分 / SASH PART

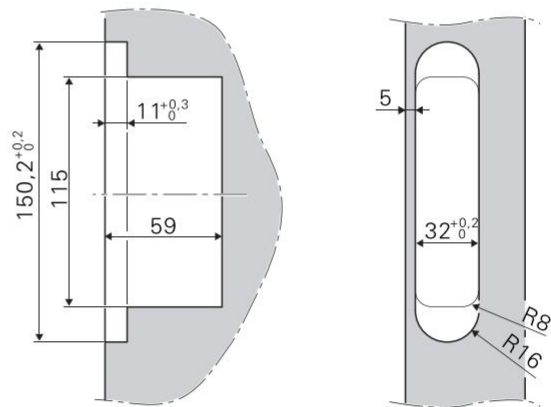


不带自闭装置的合页开孔说明 Hinge millings without self-closing device

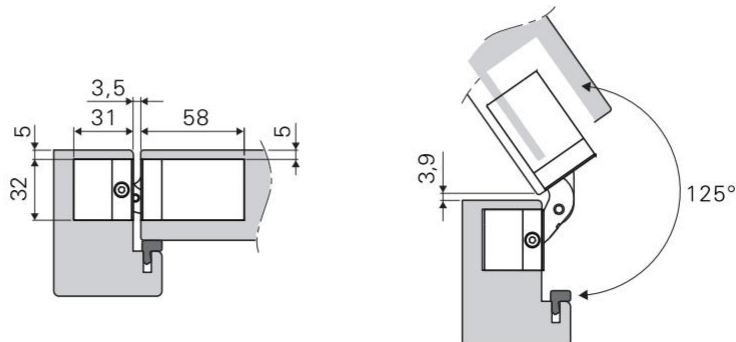
门框部分 / FRAME PART



门扇部分 / SASH PART



门扇转动示意图
Sash rotation

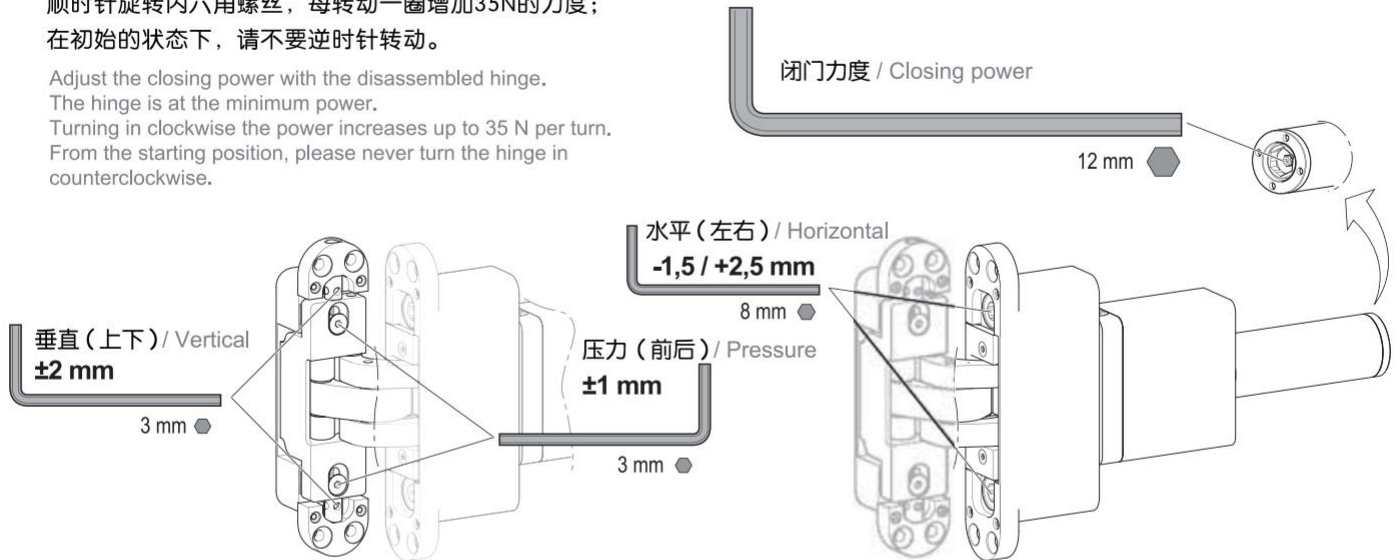


带有自关闭装置的合页调节说明

Hinge adjustments with self-closing device

在合页未安装之前调节闭门的力度；
 在出厂的初始状态下，合页的闭门力度是最小的；
 顺时针旋转内六角螺丝，每转动一圈增加35N的力度；
 在初始的状态下，请不要逆时针转动。

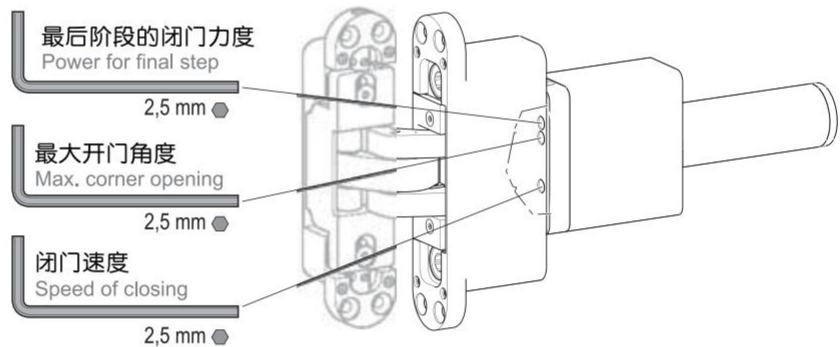
Adjust the closing power with the disassembled hinge.
 The hinge is at the minimum power.
 Turning in clockwise the power increases up to 35 N per turn.
 From the starting position, please never turn the hinge in counterclockwise.



逆时针转动，速度增加。
 In counterclockwise, the speed increases.

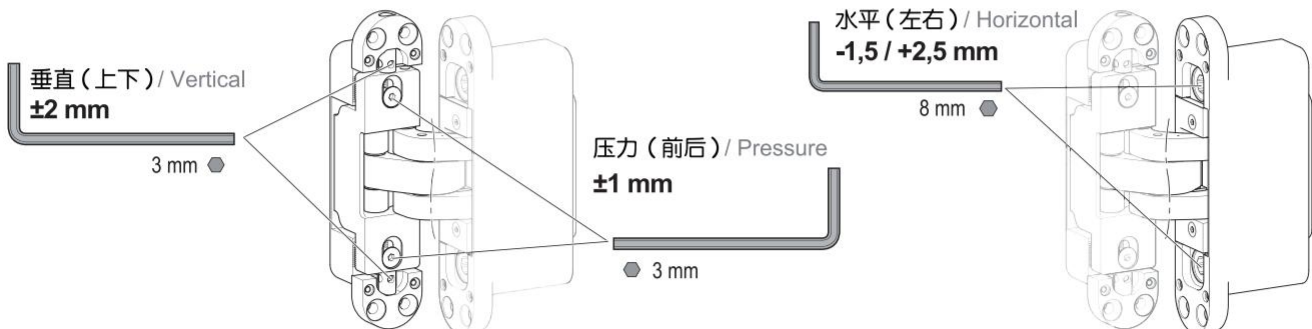
逆时针转动，门打开的最大角度增加。
 In counterclockwise, the maximum of opening corner increases.

逆时针转动，闭门速度增加。
 In counterclockwise, the speed increases.



不带自关闭装置的合页调整说明

Hinge adjustments without self-closing device



注意：如果合页压力调整到+1毫米，最小横向间隙是2.5毫米，而不是2毫米。

Note. If the hinge has been adjusted in pressure up to + 1 mm, the minimum lateral gap is 2,5 mm, instead of 2 mm.

安装说明 Assembly instructions

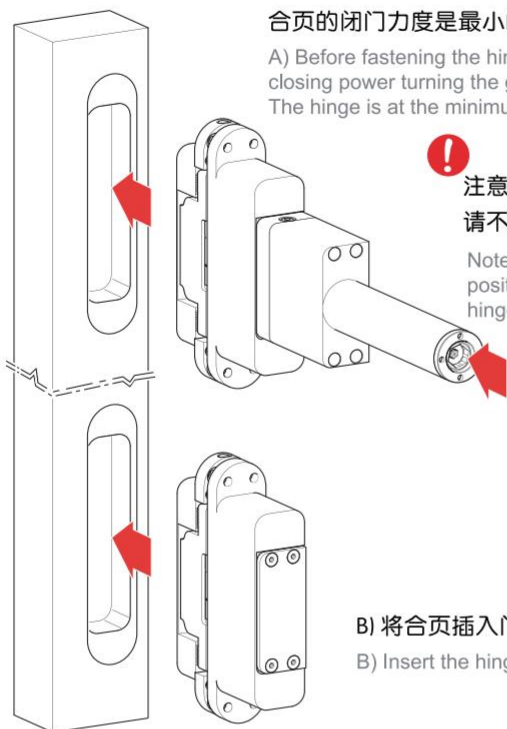
A) 在固定合页之前，请顺时针转动内六角螺丝调整好闭门力度，在初始状态下，合页的闭门力度是最小的。

A) Before fastening the hinge, please adjust the closing power turning the grub in clockwise. The hinge is at the minimum closing power.



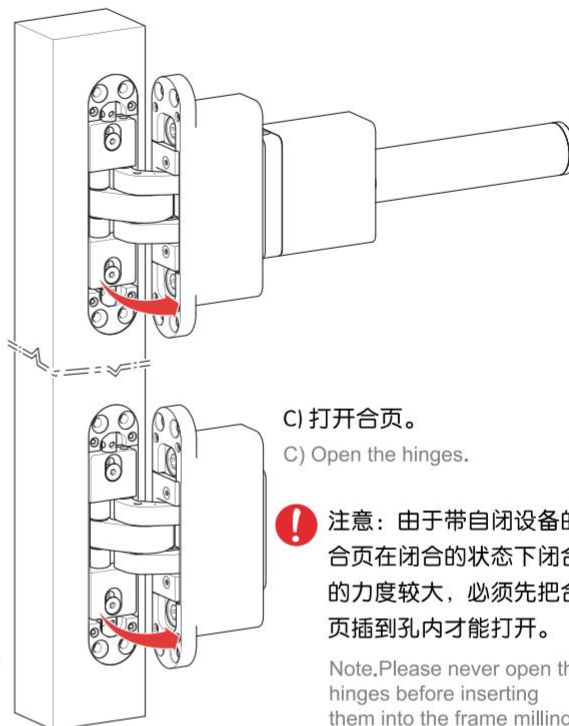
注意：在初始的状态下，请不要逆时针转动。

Note. From the starting position, please never turn the hinge in counterclockwise.



B) 将合页插入门框的孔内。

B) Insert the hinges into the frame millings.



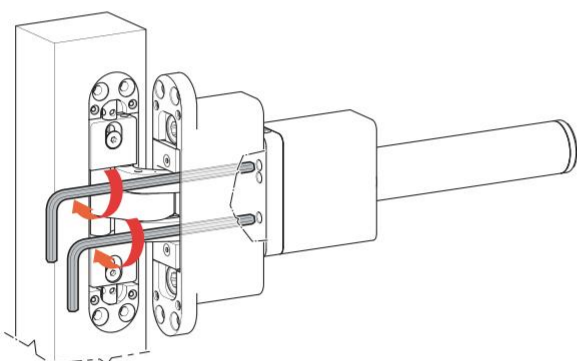
C) 打开合页。

C) Open the hinges.



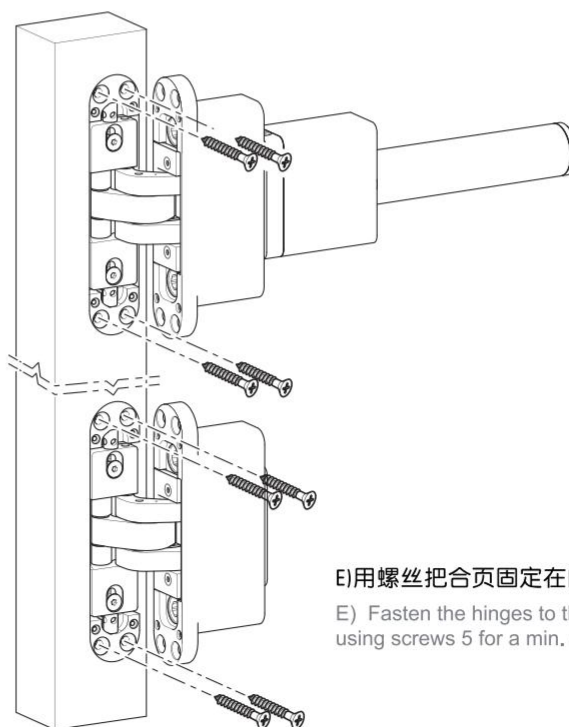
注意：由于带自闭设备的合页在闭合的状态下闭合的力度较大，必须先把合页插到孔内才能打开。

Note. Please never open the hinges before inserting them into the frame millings.



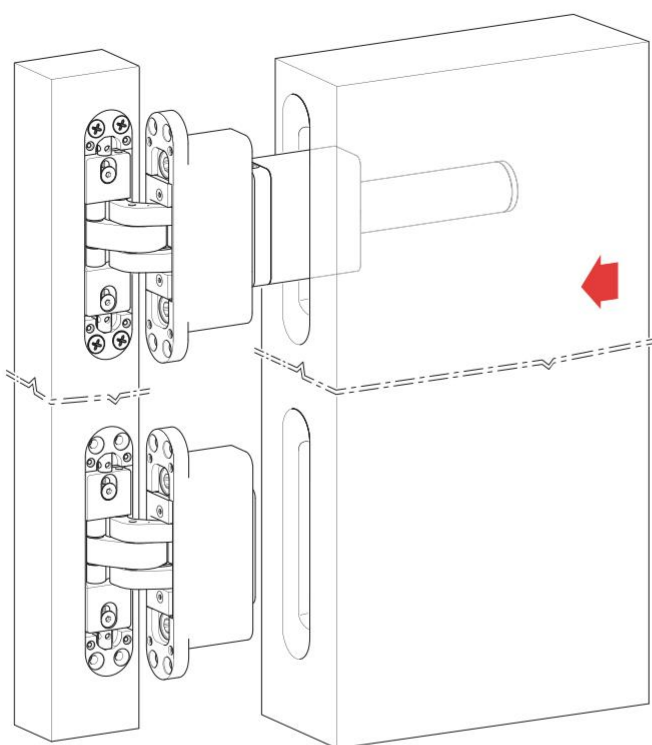
D) 顺时针转动对应的内六角螺丝，把合页的闭门速度和最后阶段的闭门力度均调至最低状态。

D) Reduce to the minimum value the speed of the hinge closing and the final step turning the indicated grubs in clockwise.



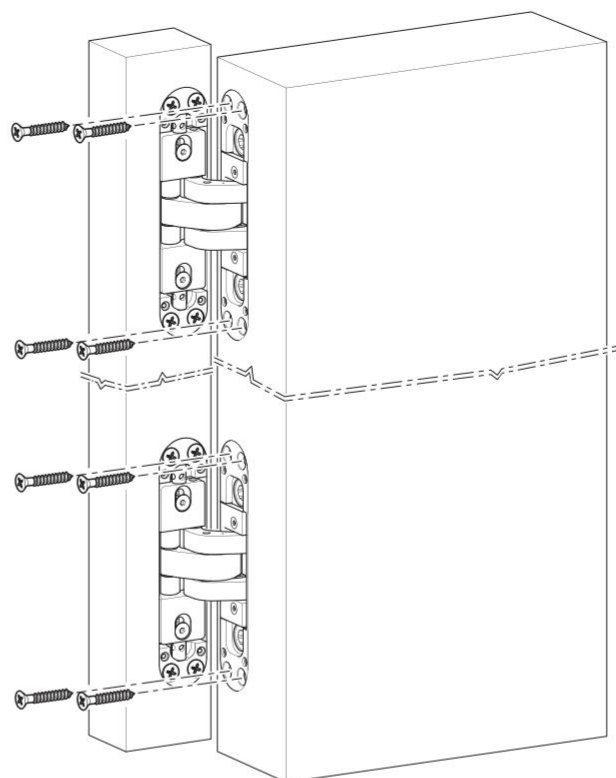
E) 用螺丝把合页固定在门框上。

E) Fasten the hinges to the frame; using screws 5 for a min. of 30 mm.



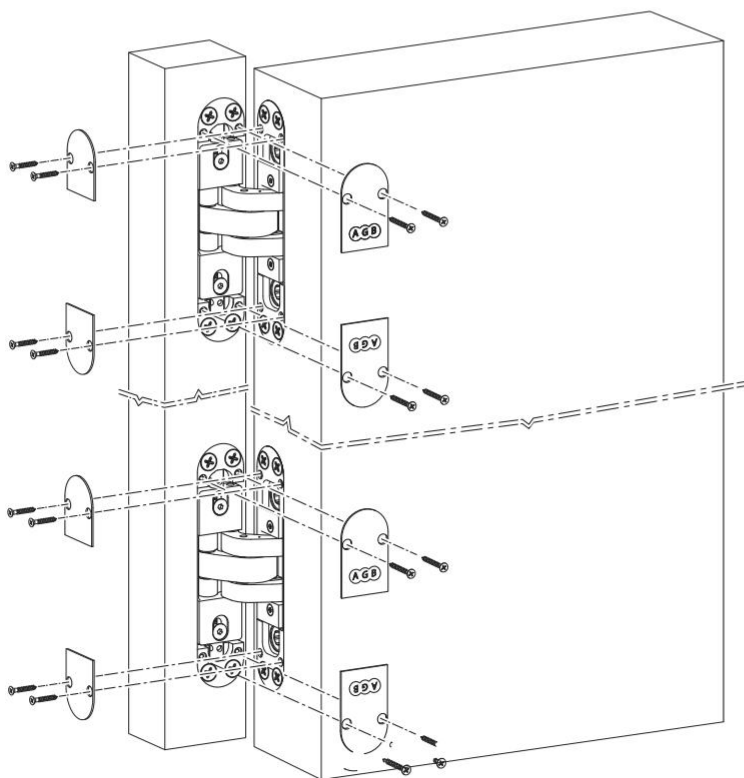
F) 将门扇套入合页。

F) Insert the sash into the hinges.



G) 用螺丝把合页固定在门扇上。

G) Fasten with screw 5 for min. 50 mm the sash part and adjust the hinges, if necessary.



H) 盖上装饰盖片。

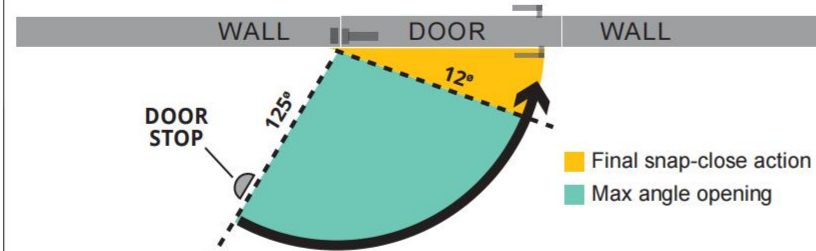
H) Fasten the covers with specific screws.



Concealed Hinge/Closer System for premium flush-mounted doors

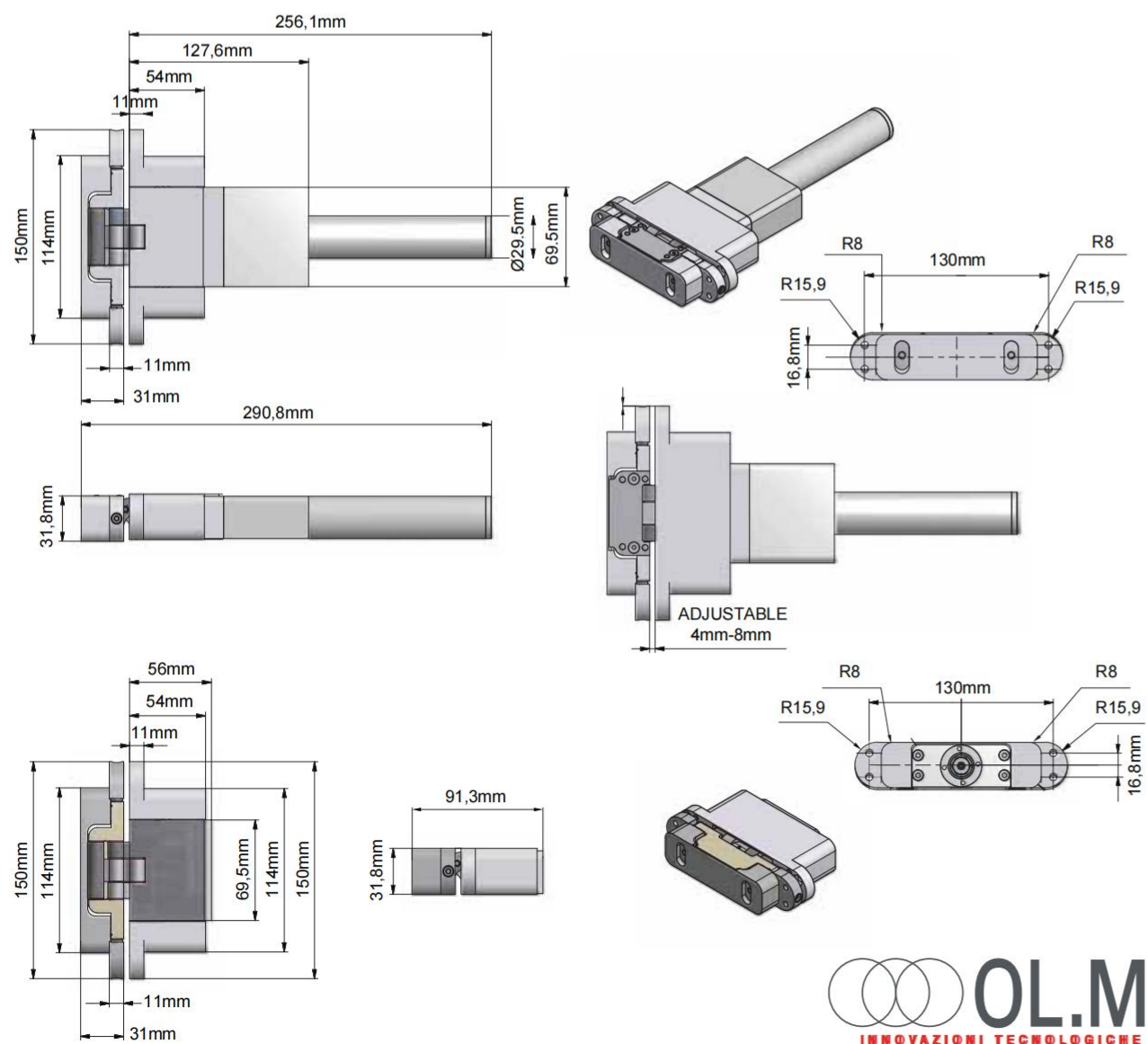


STRONG, SELF-CLOSING PERFORMANCE



CAUTION: A floor-mounted **DOOR STOP** is recommended to prevent a door opening beyond 125° (see above diagram). Forcing a door beyond a 125° opening may damage closer and void Warranty.

MODEL	DESCRIPTION	SELF CLOSES	MAX ANGLE OPENING	LOAD BEARING CAPACITY	MINIMUM DOOR THICKNESS	MAX DOOR WIDTH
KIT REI CM / REI SM	Concealed Hydraulic Door Closer and Hinge	125°	125°	80 kg	40mm	1200mm
REI SM	Plain Door Hinge	n/a	125°	80 kg	40mm	1200mm



Plain Pivot Hinge



Closer/Hinge Hydraulic Unit

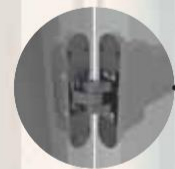


- Suitable for large commercial door assemblies
- Premium, architectural look for hospitals, schools, hotels ect.
- Fits doors with a minimum thickness of 40mm
- One pair includes hinge/closer + plain hinge
- Easy installation and concealed workings
- Adjustable: vertically, horizontally, inclination and closing force
- Hard anodized alloy components and housing

One pair, closer+hinge combination	
Maximum Door Weight	80 kgs
Maximum Door Width	1200mm
Maximum Opening Angle	Approx 125°
Final Snap Action	12°



A stylish, hidden solution for self-closing commercial doors

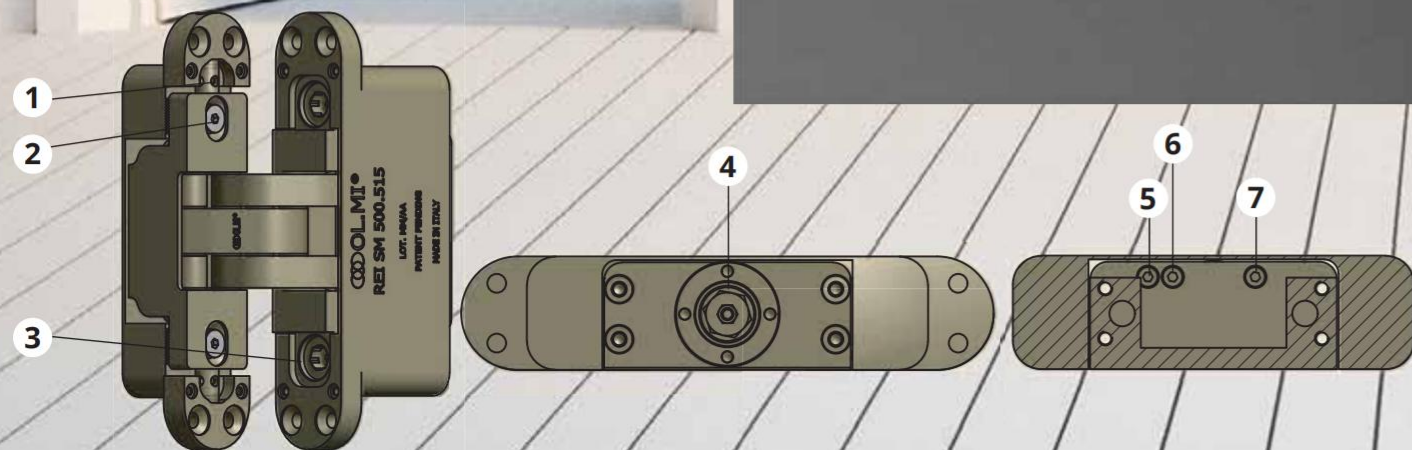


Closer/Hinge Hydraulic Unit

REF	PART ADJUSTMENT	UNIT	RANGE
1	Height	Both	+/-2 mm with 1mm steps
2	Lateral	Both	+/-1.25mm
3	Depth and Inclination	Both	Gap between post and door leaf is adjustable from 2mm to 6mm
4	Door closing force	Master	1470N - 1755N
5	Final snap-close action	Master	12° - 0°
6	Opening angle	Master	Steps at 60°, 80°, 100° and 125°
7	Self-closing	Master	125° to 0°



Plain Pivot Hinge



Robust mounting system:

- Aluminum, screw-on mounting brackets
- Mounting brackets included

Powerful, hidden hydraulics... that won't leak!

- Hydraulics are concealed internally
- Quiet, controlled closure
- Tamper-resistant, compact design
- No need to add fluid - ever

Seven Adjustment Options :

- Self-closing speed and force
- Final snap-close action
- Horizontal, vertical adjustment
- Depth and Inclination adjustment