

 **BONAITI**
DESIGN



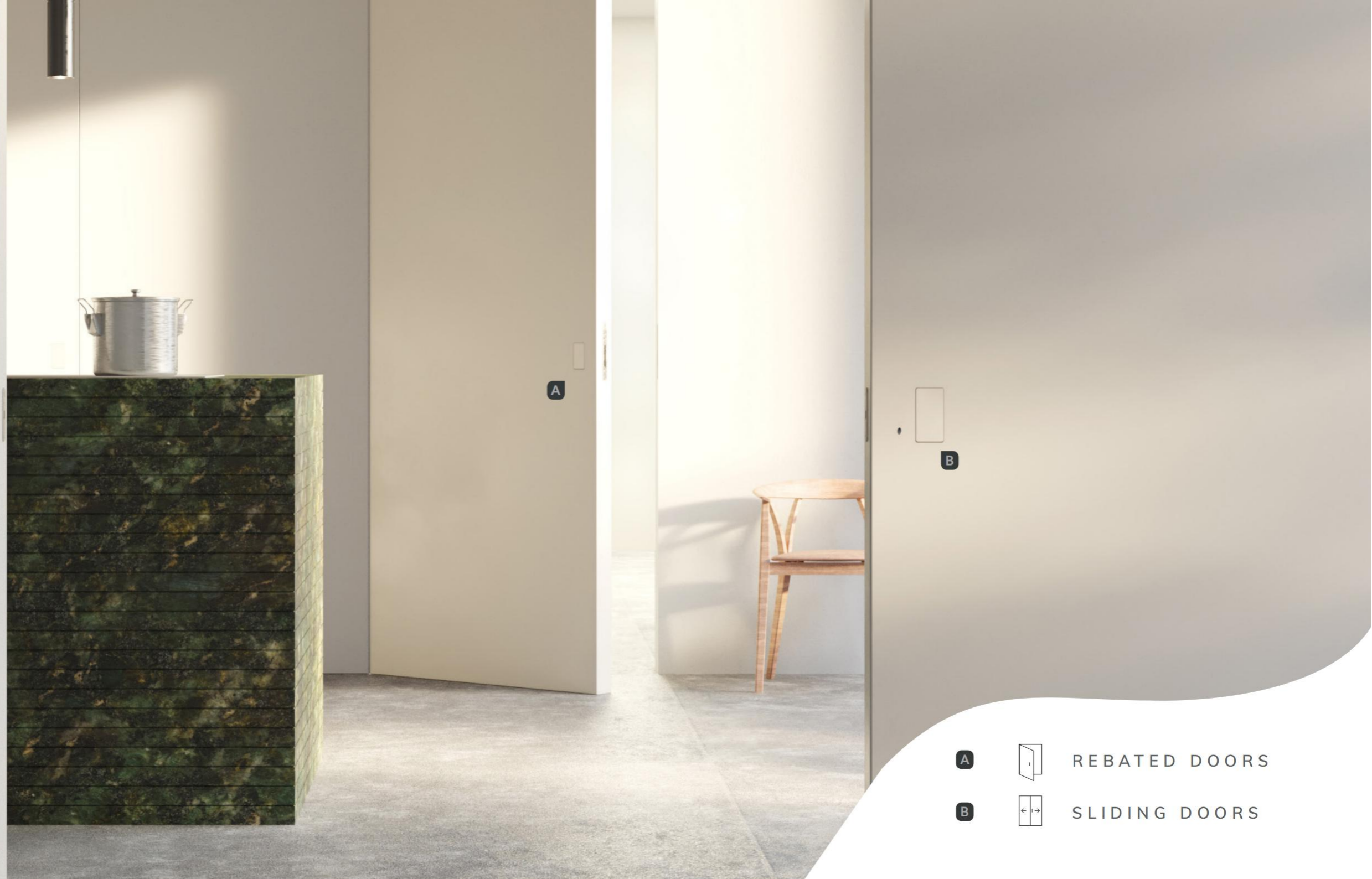
INVISIBLE



Every door has a hidden handle,
we just didn't see it.



Doors with lock



01

A



REBATED DOORS

B



SLIDING DOORS

REBATED DOORS

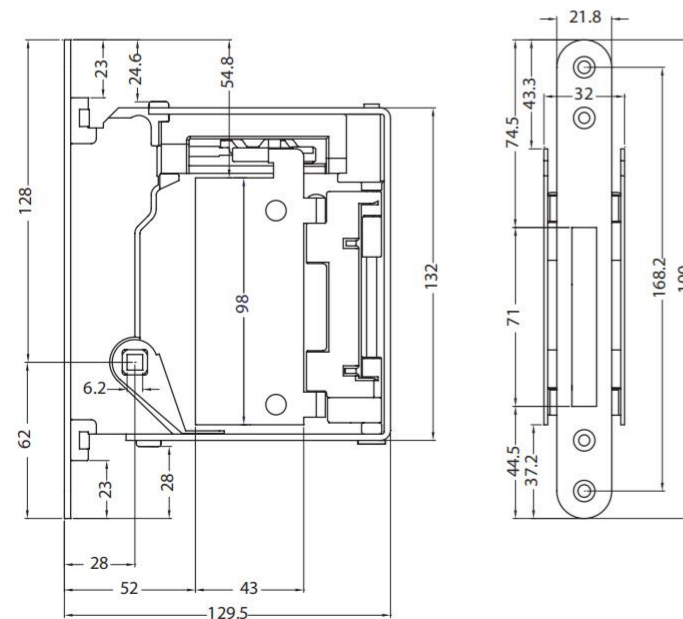


PATENTED

Mod. 937

B NO-HA MINI PRIVACY

DOOR THICKNESS (mm) 38 MIN \longleftrightarrow 48 MAX



6x6 mm

Material
Brass

Front plate

height	width	thickness
190 mm	22 mm	2.5 mm

Maximum distance between leaf and frame
6 mm

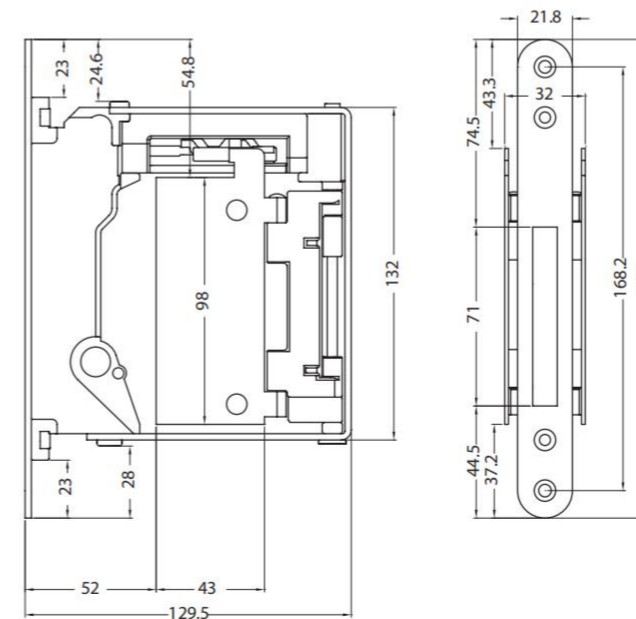
Backset
28 mm

PATENTED

Mod. 938

B NO-HA MINI PASSAGE

DOOR THICKNESS (mm) 38 MIN \longleftrightarrow 48 MAX



Material
Brass

Front plate

height	width	thickness
190 mm	22 mm	2.5 mm

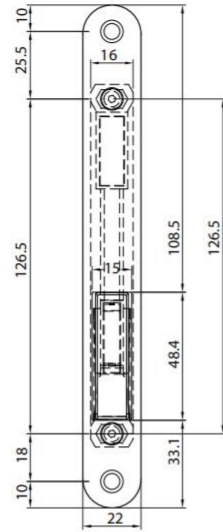
Maximum distance between leaf and frame
6 mm



ADJUSTABLE STRIKING PLATES



Mod.
G 992

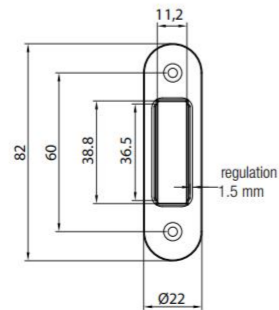


Material
Steel

Dimensions

height	width	thickness
190 mm	22 mm	2 mm

Mod.
GR 95



Material
Steel

Dimensions

height	width	thickness
82 mm	22 mm	4 mm





Accessories on demand



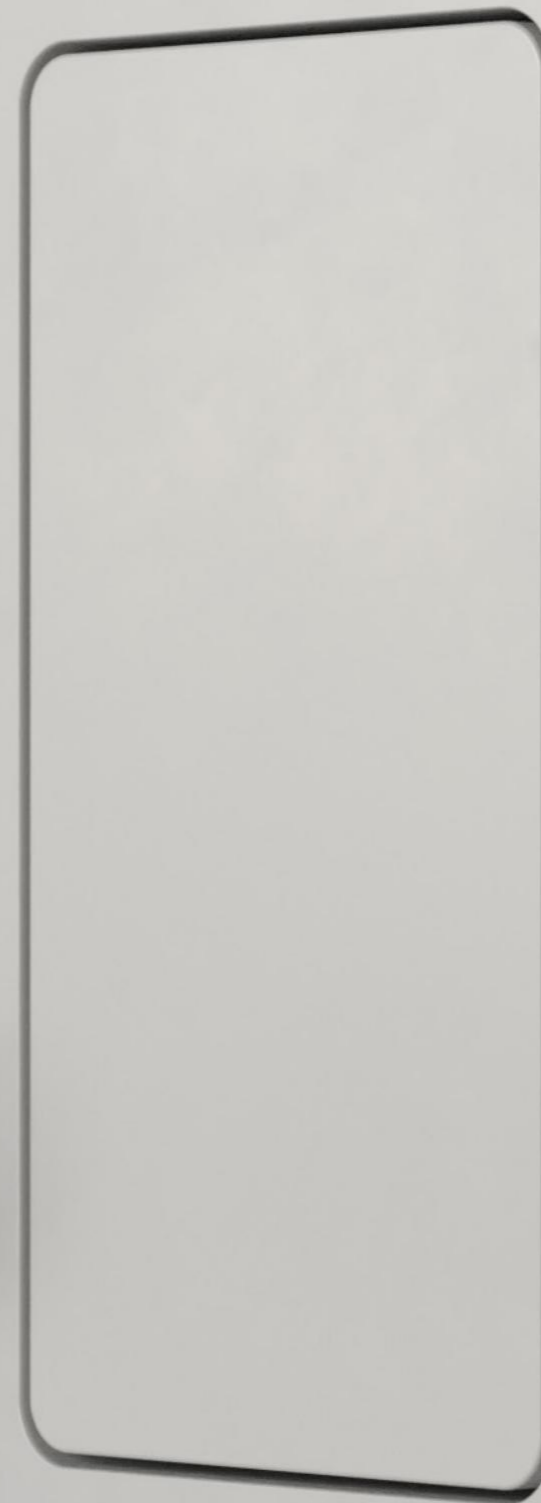
COVER



KNOBS



SPECIAL
TOOL

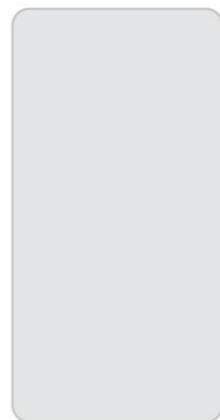


COVER

Cover

INVISIBLE

The Cover is designed to perfectly match our B NO-HA mini systems, G500 mini and any kind of door having the thickness indicated. Shapes and colours can be customised by the customer.



Mod.

METAL



Mod.

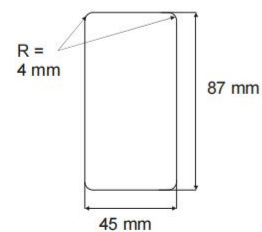
MDF



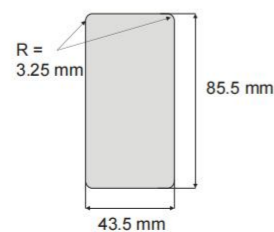
Our metal covers are available in satin stainless steel.

The MDF versions are supplied in a neutral colour ready to paint so that the design of the door matches the finishing of the front plates or door panel used.

hollow
dimensions



cover
dimensions



FEATURES

Material

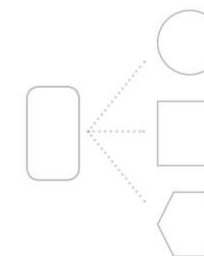
Stainless steel, MDF

Standard dimensions

height	width	thickness
85,5 mm	43,5 mm	3 mm

+ Colour and shape customisation

Standard Bonaiti shape and colours are described above. Clients are free to customise their own colours and shape with their carpenter.



KNOBS FOR PRIVACY VERSION



FOR B NO-HA MINI PRIVACY LOCK

UNDRILLED

The Cartel doorknob has been specifically developed for B NO-HA mini locks to keep the door looking as minimal as possible.

This product is made from materials designed not to interfere in any way with the correct functioning of the magnetic mechanism that controls the locking system.

Mod.

PH 1



FOR G500 MINI WC LOCK AND B NO-HA MINI PRIVACY LOCK

WITH EMERGENCY SCREW

A normal pass-through knob without rosette and with emergency screw can be fitted to the outside of the door and a knob to the inside for the B NO-HA mini and G500 mini privacy version.

Mod.

302



Mod.

310



Mod.

315



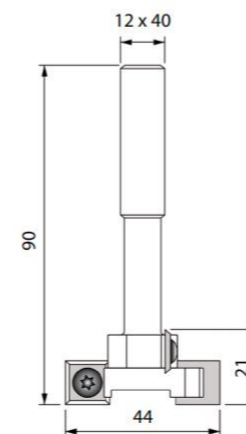
TOOL



Mod.

SPECIAL TOOL

The 44 mm diameter special tool is the ideal machining tool for drilling out the doors to fit the various B NO-HA mini, Single and Double systems. In a single step, this tool drills out the mortice on the door panel for correct insertion of all the B NO-HA mini systems.



Material
Steel

Dimensions

height 90 mm
diameter \varnothing 44 mm

No-Ha Collection

Installation pictures

No-Ha 2.0 mini

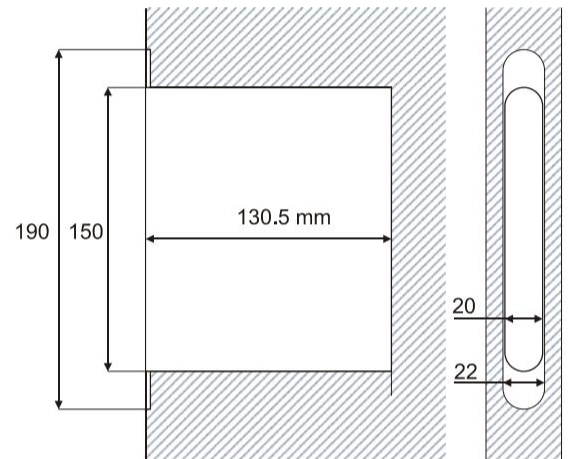
Nm 938 & Nm 937 Cartel /Locco



1

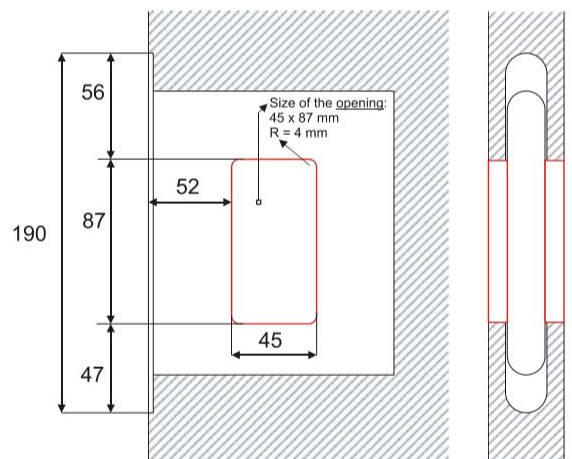


- Standard tool
- Depth: 130.5 mm
- Width: 20 mm



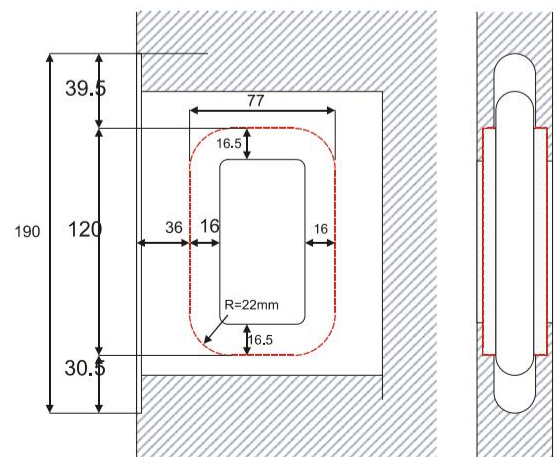
2

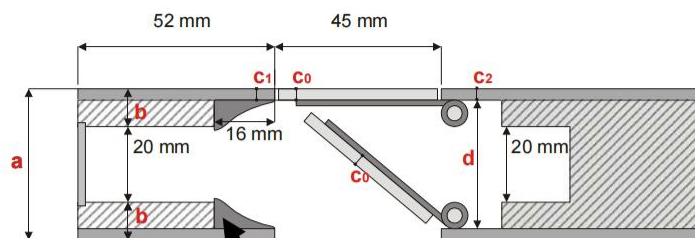
- Standard tool - Ø 8 mm



3

- Special tool
- Ø 44 mm
- Code: Z44





4 Insert 2 black plastic pieces and fixed them strongly with the white adhesive tape in kit..



5 Prepare the lock: Glue the black sticker to the bottom in the showed way.



- No function
- Only aesthetical when you look inside the door.

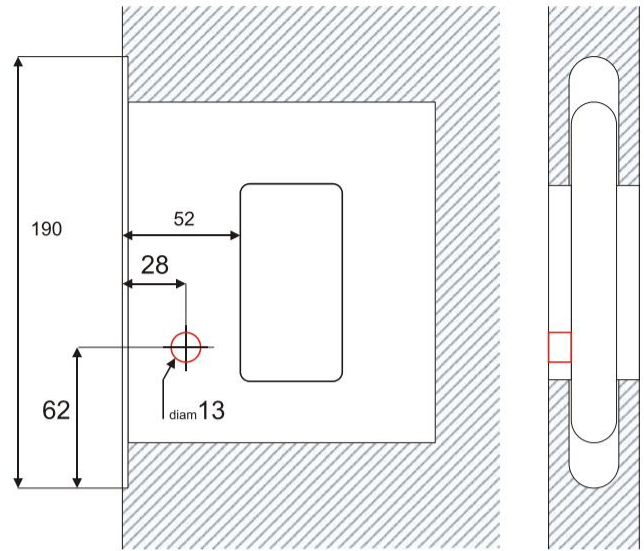
6 Insert the lock in the door and fix the lock in the front with 2 screws. Test the lock



7 After testing the lock install the finished coverplates.



Nm 937 + Locco + Cartel



1

2

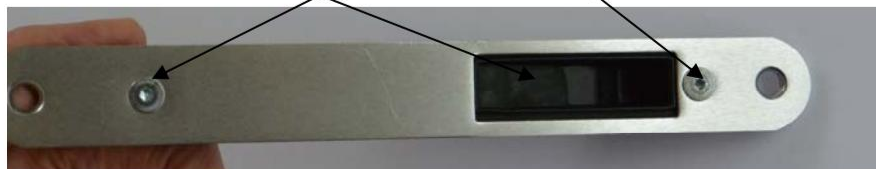


3

4 & 5



Striking plate: adjustable position by using the 2 screws





Bonaiti Serrature SpA

23801 Calolziocorte (LC) - via F.lli Bonacina, 20 ITALY

Tel. +39 0341.631500 - Fax +39 0341.631440 - bonaiti@bonaiti.it - www.bonaiti.it